

CAL MISSILE™

Duct Cone Projectiles

Ultra Tough and Re-usable

Available in 21 sizes

Fast Blowing, Low Friction

For Use with Duct and Inner Duct

Tear Resistant



Cal Am Manufacturing's "Cal Missile" is the Cadillac of all missile line carriers; Constructed with heavy-duty stainless steel hardware and Polyurethane blow cups, this ultra-tough projectile will perform flawlessly for you time and time again.

Used to pneumatically install pull line into conduit runs, the Cal Missile is fast and efficient, easily blowing through even out-of-round duct with hand blower tools. The Cal Missile features dual fastening rings, one on each end of the projectile and is available with either two or three polyurethane cups, which offer the elasticity of rubber combined with the toughness and durability of metal.

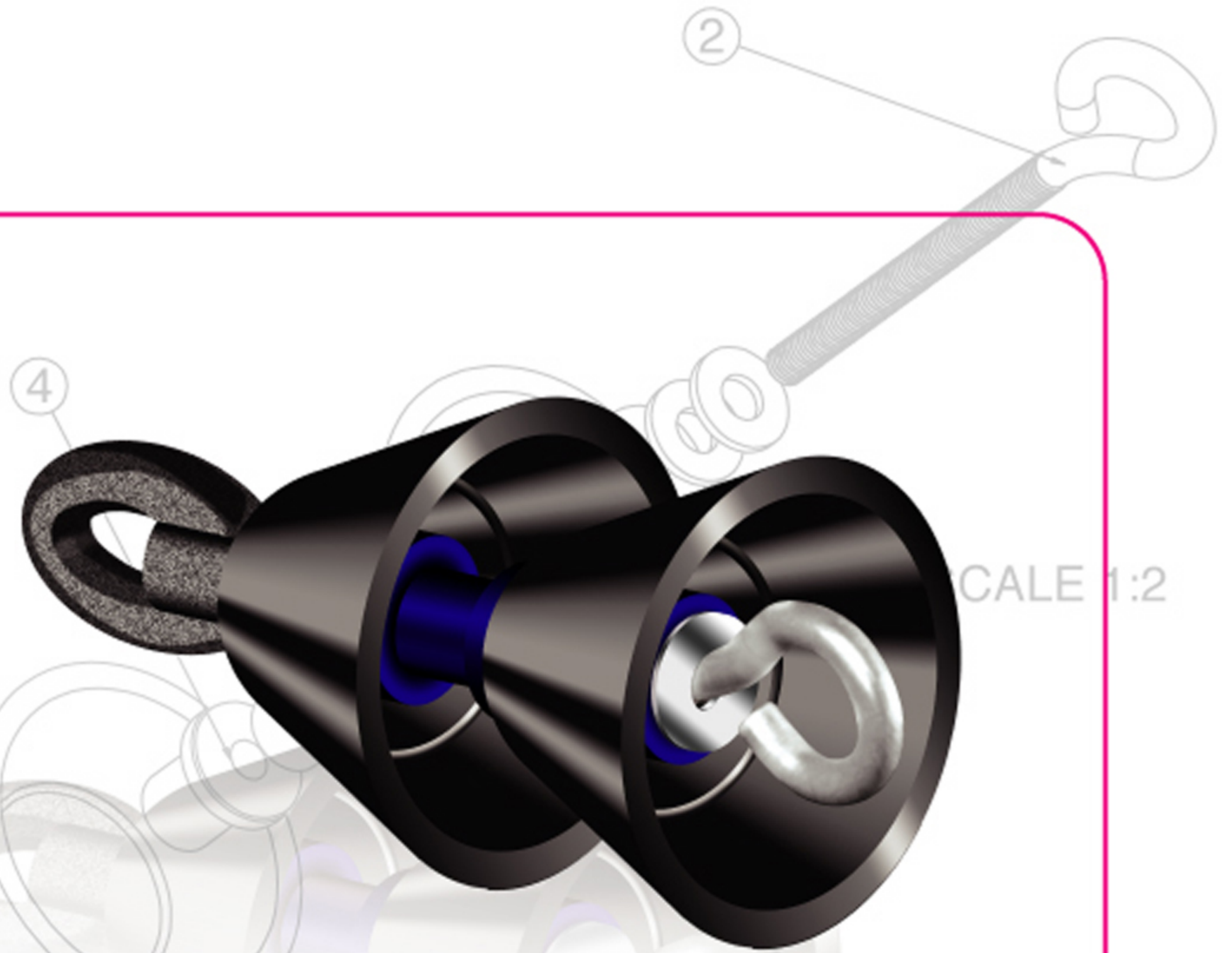
Compared to other projectiles which use plastic or foam; the polyurethane cups of the Cal Missile offer you superior impact, abrasion and tear resistance, have a higher load bearing capacity and better elastic memory. These cups, which are resistant to solvents, oxygen, ozone and sunlight have an outstanding flex-life guaranteed to outlast other elastomers on the market today. The Cal Missile will remain flexible and still perform at any temperature found on any terrestrial job site. When you are looking for the best duct cone projectile available today, look to Cal Am Manufacturing.

For over 25 years Cal Am has been providing the Power and Telecommunications Industry with the highest quality conduit fittings and supports. For more information on other fine Cal Am products please call or visit our website www.calammfg.com



DUCT CONE PROJECTILES

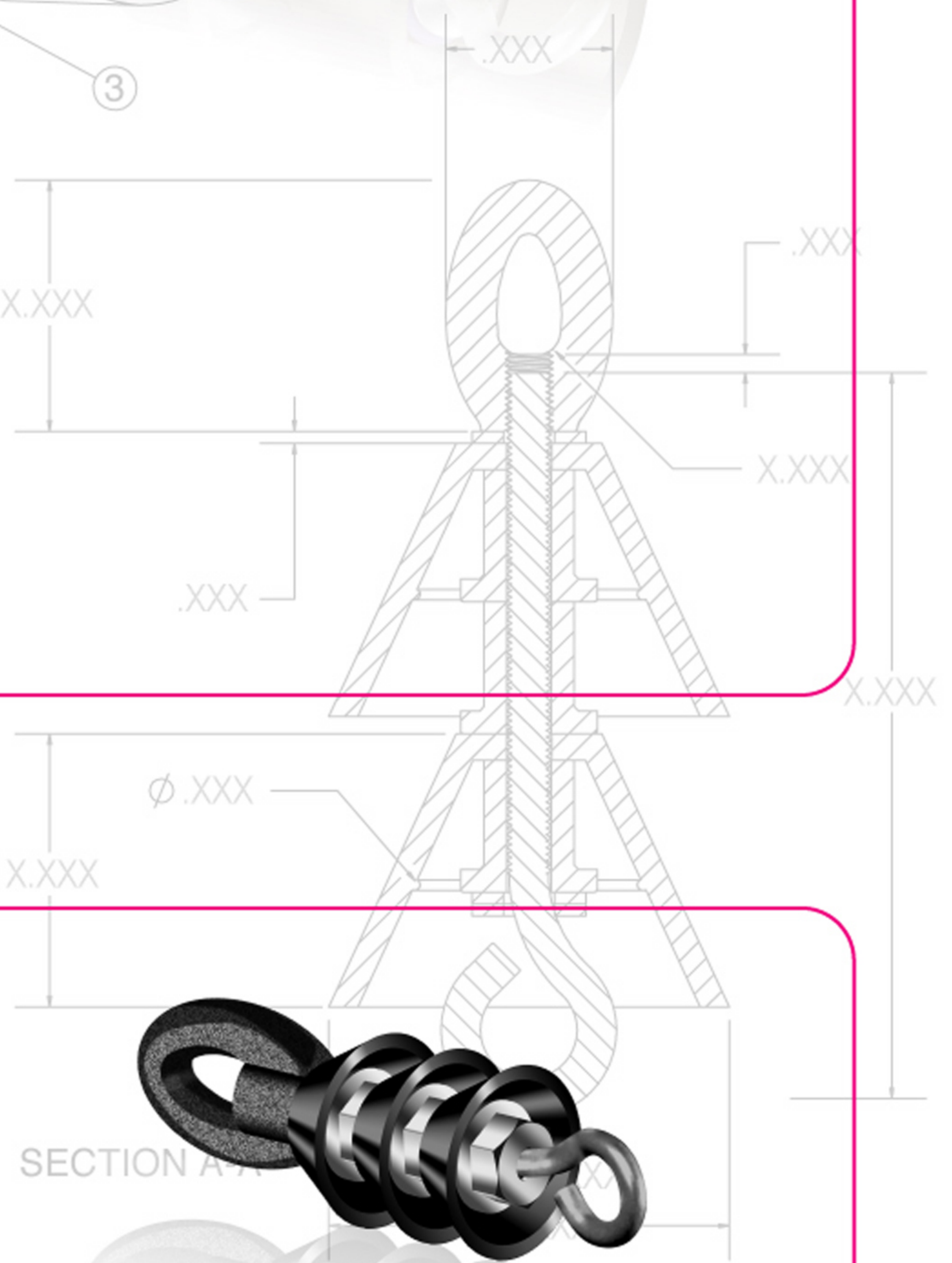
SIZE	CATALOG NUMBER	UNIT	QTY PER CASE
1"	2110-010	EA	1
1-1/4" SDR11	2110-011	EA	1
1-1/4"	2110-012	EA	1
1-3/8"	2110-013	EA	1
1-1/2" SDR11	2110-014	EA	1
1-1/2"	2110-015	EA	1
1-7/8"	2110-017	EA	1
2" SDR11	2110-019	EA	1
2"	2110-020	EA	1
2-1/2"	2110-025	EA	1
3"	2110-030	EA	1
4"	2110-040	EA	1
5"	2110-050	EA	1
6"	2110-060	EA	1



SCALE 1:2

INNER DUCT CUP PROJECTILES

SIZE	CATALOG NUMBER	UNIT	QTY PER CASE
3/4"	2120-007	EA	1
1"	2120-010	EA	1
1-1/8"	2120-011	EA	1
1-1/4"	2120-012	EA	1
1-3/8" SDR11	2120-013	EA	1
1-1/2"	2120-015	EA	1
2"	2120-020	EA	1



PART NUMBER	DESCRIPTION	QTY.
221003	1/4"-20 EYE NUT HANGER	1
211007	3/8" X 6" EYE BOLT	1
211021	1/4" X 1/2" FLAT WASHER	6
121061	1/4" SPACER BLUE PVC	3
121020	CONE MISSLE BLACK 2"	2

NAME	DATE	<p>CAL MISSLE 2"</p> <p>SCALE: 1:1.5 WEIGHT:</p>	<p>SHEET 1 OF 1</p>
DRAWN			
CHECKED			
ENG APPR.			
MFG APPR.			
COMMENTS:		<p>SIZE A DWG. NO. 2110-020</p>	<p>A REV.</p>

PROPRIETARY AND CONFIDENTIAL
 THE INFORMATION CONTAINED IN THIS DRAWING IS THE SOLE PROPERTY OF CAL AM MANUFACTURING. ANY REPRODUCTION IN PART OR AS A WHOLE WITHOUT THE WRITTEN PERMISSION OF CAL AM MANUFACTURING IS PROHIBITED.

MATERIAL	SEE PART SHEETS
FINISH	SEE PART SHEETS
APPLICATION	DO NOT SCALE DRAWING