

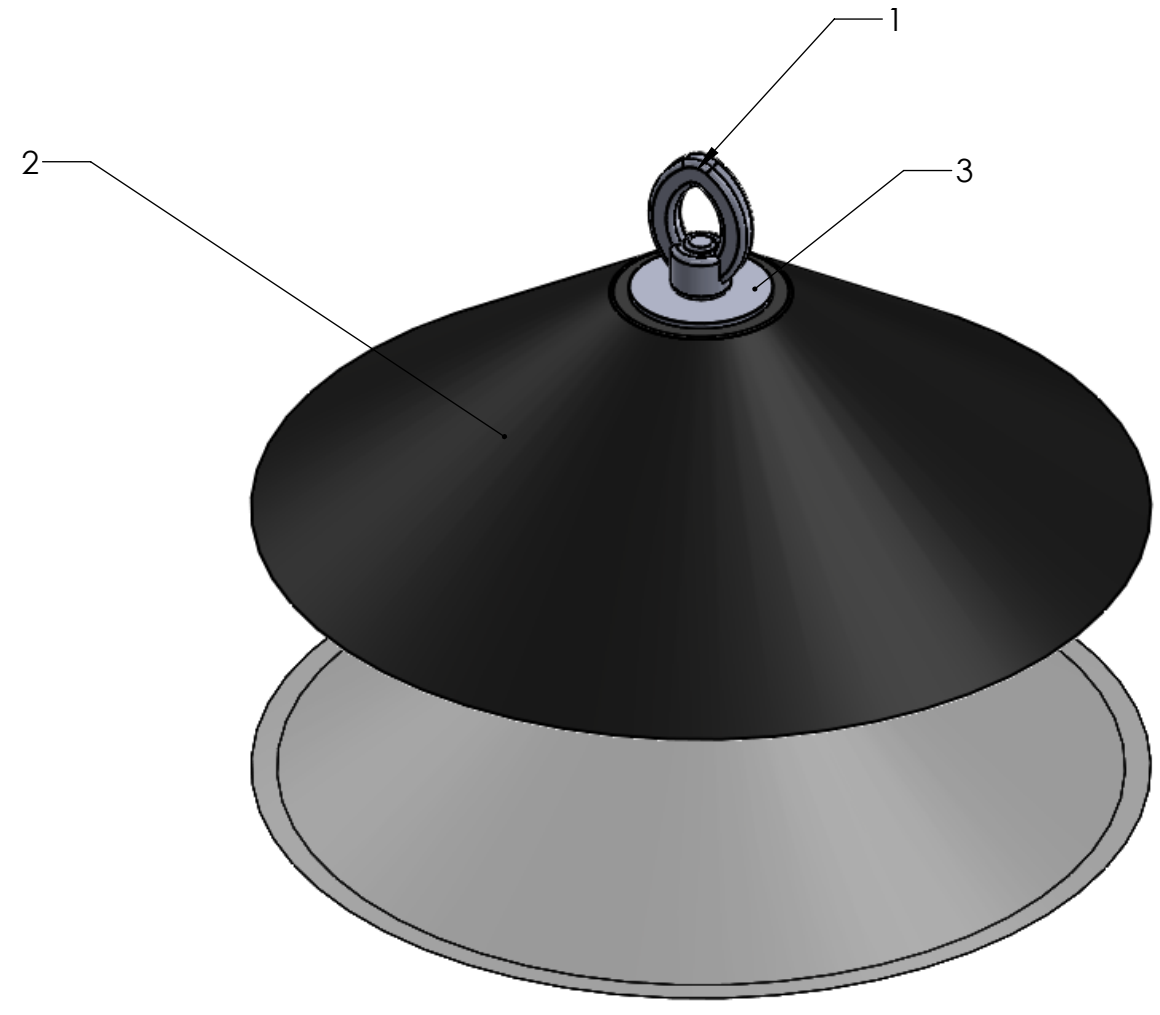
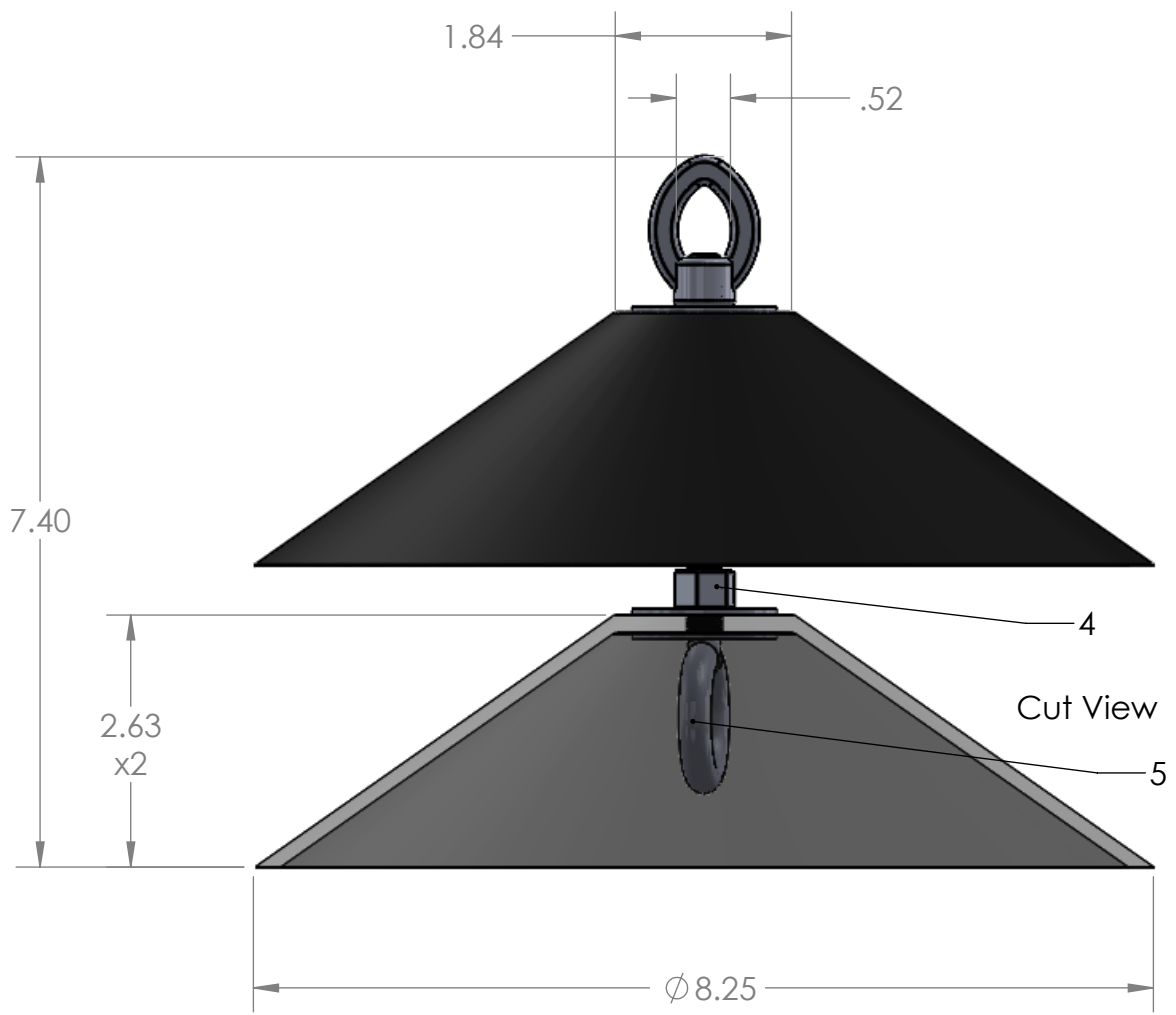
8 7 6 5 4 3 2 1

D

C

B

A



- 1: Cast Steel Eye Nut
- 2: Polyurethane/Pelethane Cone. Black
- 3,4,5: Zinc Plated Hardware

PROPRIETARY AND CONFIDENTIAL
 THE INFORMATION CONTAINED IN THIS DRAWING IS THE SOLE PROPERTY OF CAL AM MFG. ANY REPRODUCTION IN PART OR AS A WHOLE WITHOUT THE WRITTEN PERMISSION OF CAL AM MANUFACTURING IS PROHIBITED.

UNLESS OTHERWISE SPECIFIED:		NAME	DATE
DIMENSIONS ARE IN INCHES TOLERANCES:		DRAWN	Eduardo.G 03/18/15
ANGULAR: MACH ± .5		CHECKED	Fausto.G 03/18/15
TWO PLACE DECIMAL ± .010		ENG APPR.	
THREE PLACE DECIMAL ± .005		MFG APPR.	
INTERPRET GEOMETRIC TOLERANCING PER: inch		Q.A.	
MATERIAL		COMMENTS:	
POLYURETHANE/ PELETHANE			
DO NOT SCALE DRAWING			



TITLE:
8 INCH CAL MISSILE

SIZE	DWG. NO.	REV
A	2110-080	A

SHEET 1 OF 1

8 7 6 5 4 3 2 1