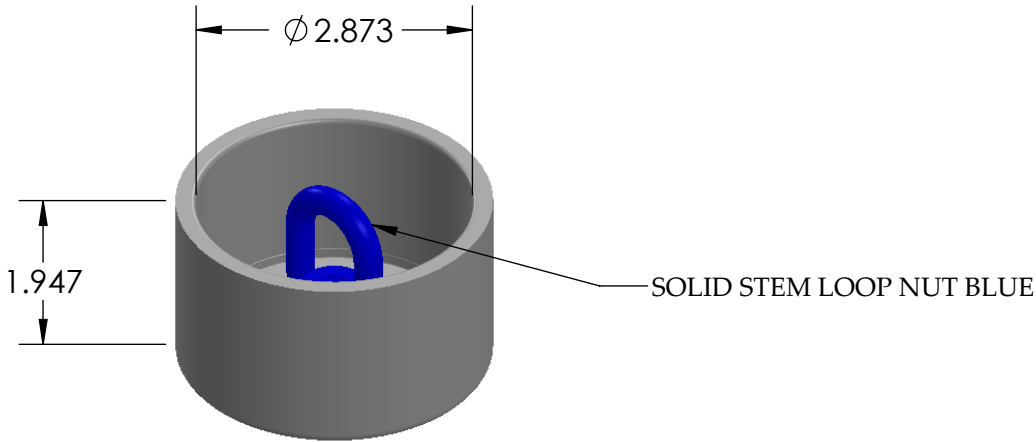



REV	CHANGE	DATE
B	IMAGE ENHANCEMENT	11/02/15



PROPRIETARY AND CONFIDENTIAL
 THE INFORMATION CONTAINED IN THIS DRAWING IS THE SOLE PROPERTY OF CALAM MFG. ANY REPRODUCTION IN PART OR AS A WHOLE WITHOUT THE WRITTEN PERMISSION OF CALAM MFG. IS PROHIBITED.

		UNLESS OTHERWISE SPECIFIED:		NAME	DATE					
		DIMENSIONS ARE IN INCHES TOLERANCES: FRACTIONAL: ±1/64 ANGULAR: 0.125° TWO PLACE DECIMAL ±0.010 THREE PLACE DECIMAL ±0.005	DRAWN	HUIZAR	06/02/14			TITLE: 2 1/2" RISER CAPS		
		INTERPRET GEOMETRIC TOLERANCING PER:	CHECKED	F.GRO	06/02/14	SIZE A	DWG. NO. 2042-025			REV B
		MATERIAL GRAY PVC	ENG APPR.							
NEXT ASSY	USED ON	FINISH	MFG APPR.							
APPLICATION		DO NOT SCALE DRAWING	Q.A.							
			COMMENTS:							