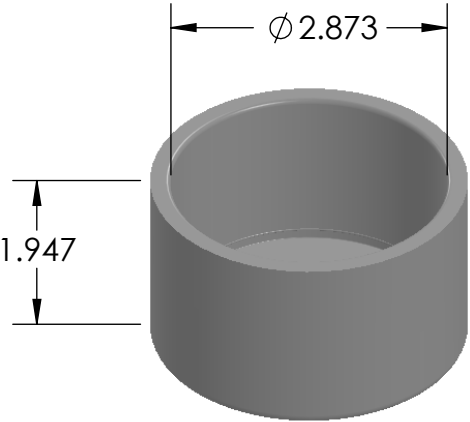



REV	CHANGE	DATE
B	IMAGE ENHANCEMENT	11/02/15



PROPRIETARY AND CONFIDENTIAL
 THE INFORMATION CONTAINED IN THIS DRAWING IS THE SOLE PROPERTY OF CALAM MFG. ANY REPRODUCTION IN PART OR AS A WHOLE WITHOUT THE WRITTEN PERMISSION OF CALAM MFG. IS PROHIBITED.

		UNLESS OTHERWISE SPECIFIED:		NAME	DATE			
		DIMENSIONS ARE IN INCHES TOLERANCES: FRACTIONAL: ±1/64 ANGULAR: 0.125° TWO PLACE DECIMAL ±0.010 THREE PLACE DECIMAL ±0.005	DRAWN	HUIZAR	06/02/14			TITLE: <p style="text-align: center;">2 1/2" PVC CAPS</p>
		INTERPRET GEOMETRIC TOLERANCING PER:	CHECKED	F.GRO	06/02/14			
		MATERIAL GRAY PVC	ENG APPR.					
		FINISH	MFG APPR.					
NEXT ASSY	USED ON		Q.A.			SIZE A	DWG. NO. 2046-025	REV B
APPLICATION		DO NOT SCALE DRAWING	COMMENTS:			SCALE:	WEIGHT:	SHEET 1 OF 1