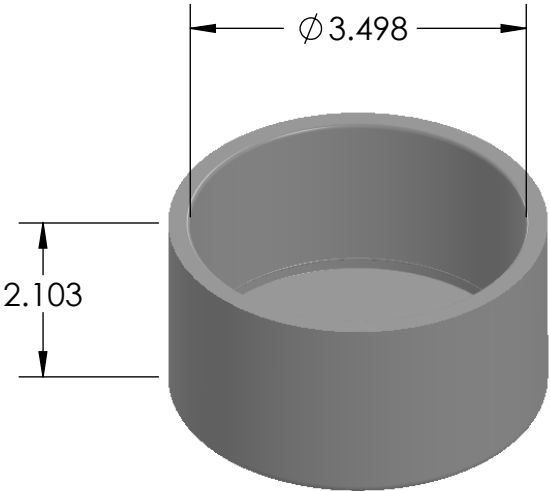



REV	CHANGE	DATE
B	IMAGE ENHANCEMENT	11/02/15



**PROPRIETARY AND CONFIDENTIAL**  
 THE INFORMATION CONTAINED IN THIS DRAWING IS THE SOLE PROPERTY OF CALAM MFG. ANY REPRODUCTION IN PART OR AS A WHOLE WITHOUT THE WRITTEN PERMISSION OF CALAM MFG. IS PROHIBITED.

		UNLESS OTHERWISE SPECIFIED:		NAME	DATE				
		DIMENSIONS ARE IN INCHES TOLERANCES: FRACTIONAL: ±1/64 ANGULAR: 0.125° TWO PLACE DECIMAL ±0.010 THREE PLACE DECIMAL ±0.005	DRAWN	HUIZAR	06/02/14			<b>TITLE:</b>  <b>3" PVC CAPS</b>	
		INTERPRET GEOMETRIC TOLERANCING PER:	CHECKED	F.GRO	06/02/14	<b>SIZE</b> <b>DWG. NO.</b> <b>A</b> <b>2046-030</b>			
		MATERIAL <b>GRAY PVC</b>	ENG APPR.						
NEXT ASSY	USED ON	FINISH	MFG APPR.			<b>SCALE:</b> <b>WEIGHT:</b> <b>SHEET 1 OF 1</b>			
APPLICATION		DO NOT SCALE DRAWING	COMMENTS:						

5

4

3

2

1