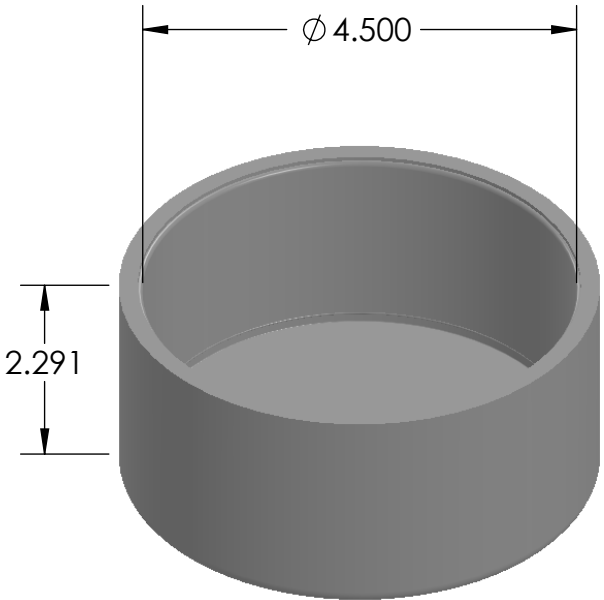



REV	CHANGE	DATE
B	IMAGE ENHANCEMENT	11/02/15



**PROPRIETARY AND CONFIDENTIAL**  
 THE INFORMATION CONTAINED IN THIS DRAWING IS THE SOLE PROPERTY OF CALAM MFG. ANY REPRODUCTION IN PART OR AS A WHOLE WITHOUT THE WRITTEN PERMISSION OF CALAM MFG. IS PROHIBITED.

		UNLESS OTHERWISE SPECIFIED:		NAME	DATE					
		DIMENSIONS ARE IN INCHES TOLERANCES: FRACTIONAL: $\pm 1/64$ ANGULAR: $0.125^\circ$ TWO PLACE DECIMAL $\pm 0.010$ THREE PLACE DECIMAL $\pm 0.005$	DRAWN	HUIZAR	06/02/14			<b>TITLE:</b>  <b>4" PVC CAPS</b>		
		INTERPRET GEOMETRIC TOLERANCING PER:	CHECKED	F.GRO	06/02/14	<b>SIZE</b> <b>A</b>	<b>DWG. NO.</b> <b>2046-040</b>			<b>REV</b> <b>B</b>
		MATERIAL <b>GRAY PVC</b>	ENG APPR.							
		FINISH	MFG APPR.							
NEXT ASSY	USED ON		Q.A.							
APPLICATION		DO NOT SCALE DRAWING	COMMENTS:							