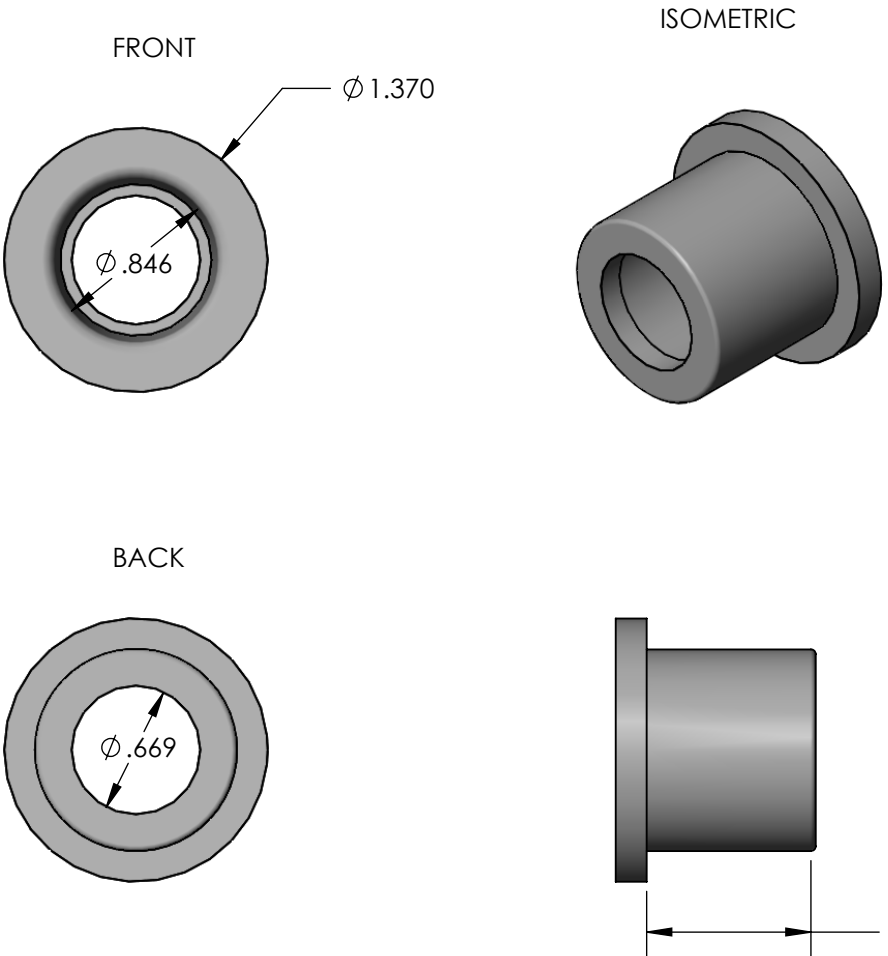


REV	CHANGE	DATE
B	IMAGE ENHANCEMENT	11/13/15



PROPRIETARY AND CONFIDENTIAL
 THE INFORMATION CONTAINED IN THIS DRAWING IS THE SOLE PROPERTY OF CALAM MFG. ANY REPRODUCTION IN PART OR AS A WHOLE WITHOUT THE WRITTEN PERMISSION OF CALAM MFG. IS PROHIBITED.

		UNLESS OTHERWISE SPECIFIED:		NAME	DATE
		DIMENSIONS ARE IN INCHES	DRAWN	HUIZAR	06/02/14
		TOLERANCES:	CHECKED	F.GRO	06/02/14
		FRACTIONAL: $\pm 1/64$	ENG APPR.		
		ANGULAR: 0.125°	MFG APPR.		
		TWO PLACE DECIMAL ± 0.010	Q.A.		
		THREE PLACE DECIMAL ± 0.005	COMMENTS:		
		INTERPRET GEOMETRIC TOLERANCING PER:			
		MATERIAL			
		GRAY PVC			
NEXT ASSY	USED ON	FINISH			
APPLICATION		DO NOT SCALE DRAWING			



TITLE:
3/4" X 1/2" REDUCER BUSHING

SIZE A	DWG. NO. 2048-105	REV B
------------------	----------------------	-----------------

SCALE:	WEIGHT:	SHEET 1 OF 1
--------	---------	--------------