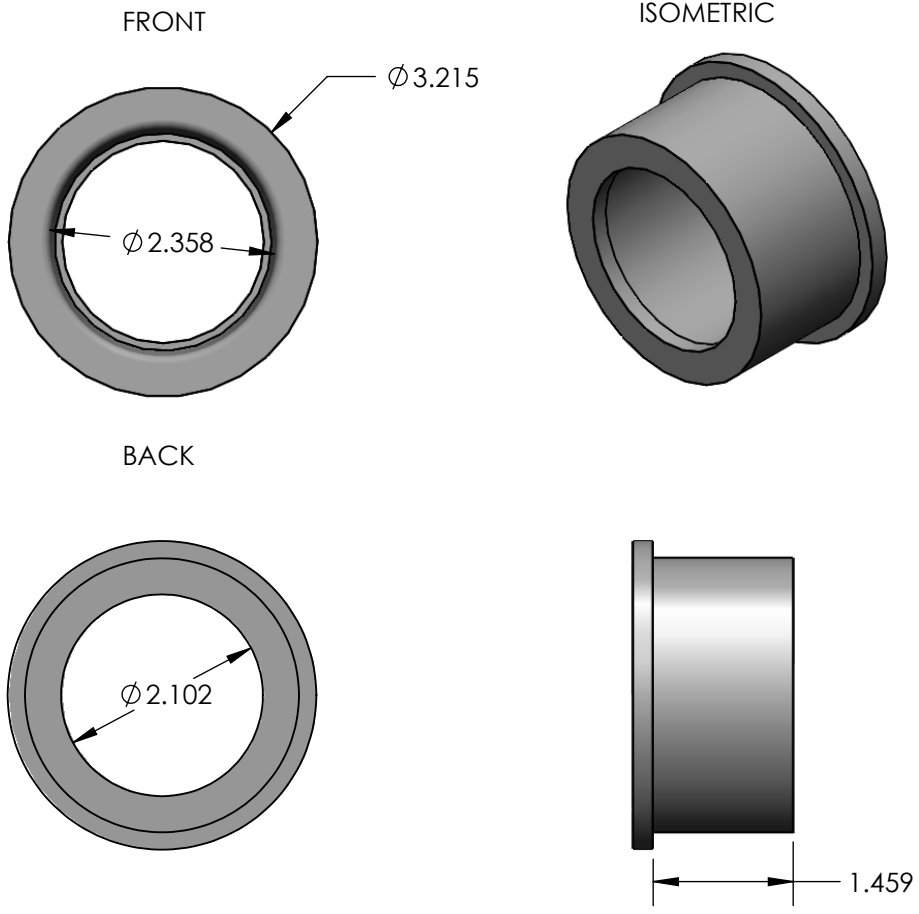


REV	CHANGE	DATE
B	IMAGE ENHANCEMENT	11/14/15



**PROPRIETARY AND CONFIDENTIAL**  
 THE INFORMATION CONTAINED IN THIS DRAWING IS THE SOLE PROPERTY OF CALAM MFG. ANY REPRODUCTION IN PART OR AS A WHOLE WITHOUT THE WRITTEN PERMISSION OF CALAM MFG. IS PROHIBITED.

		UNLESS OTHERWISE SPECIFIED:		NAME	DATE
		DIMENSIONS ARE IN INCHES	DRAWN	HUIZAR	06/02/14
		TOLERANCES:	CHECKED	F.GRO	06/02/14
		FRACTIONAL: ±1/64	ENG APPR.		
		ANGULAR: 0.125°	MFG APPR.		
		TWO PLACE DECIMAL ±0.010	Q.A.		
		THREE PLACE DECIMAL ±0.005	COMMENTS:		
		INTERPRET GEOMETRIC TOLERANCING PER:			
		MATERIAL GRAY PVC			
NEXT ASSY	USED ON	FINISH			
APPLICATION		DO NOT SCALE DRAWING			



TITLE: 2 1/2" X 2" REDUCER BUSHING		
SIZE A	DWG. NO. 2048-252	REV B
SCALE:	WEIGHT:	SHEET 1 OF 1