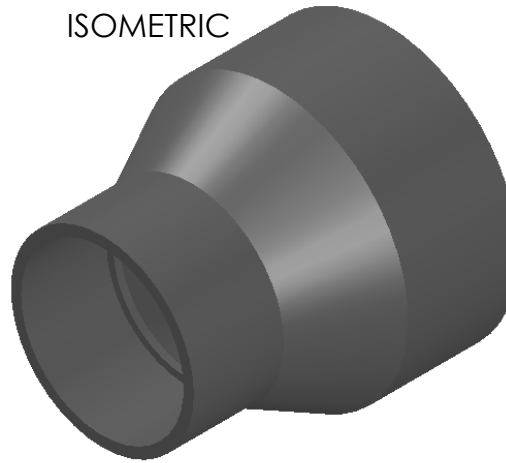
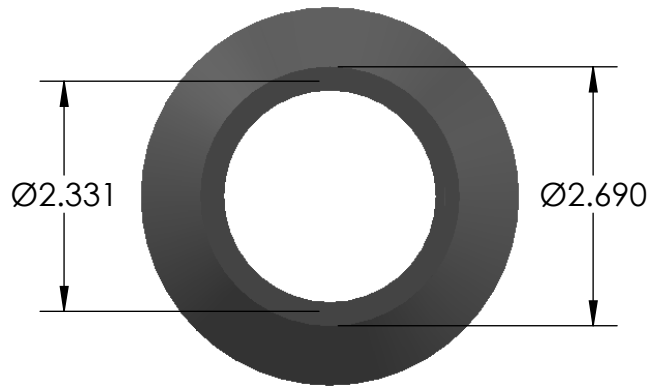


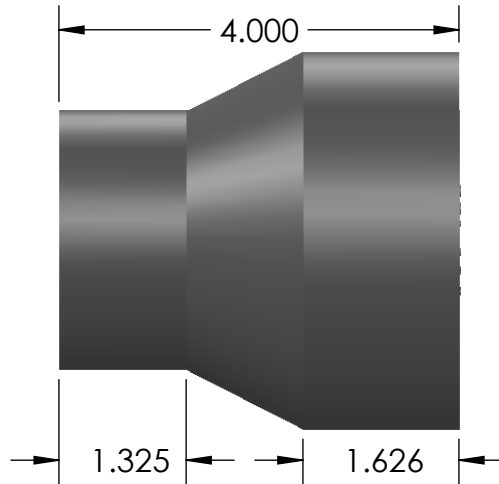
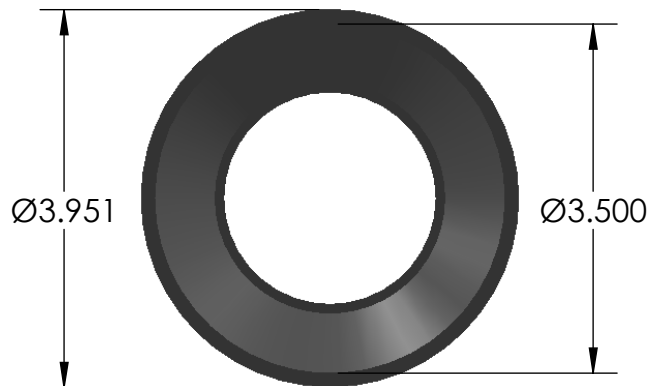
FRONT

ISOMETRIC


REV	CHANGE	DATE
B	IMAGE ENHANCEMENT	11/17/15



BACK



**PROPRIETARY AND CONFIDENTIAL**  
 THE INFORMATION CONTAINED IN THIS DRAWING IS THE SOLE PROPERTY OF CALAM MFG. ANY REPRODUCTION IN PART OR AS A WHOLE WITHOUT THE WRITTEN PERMISSION OF CALAM MFG. IS PROHIBITED.

		UNLESS OTHERWISE SPECIFIED:	NAME	DATE	 <p>TITLE: <b>3S X 2S SWEDGED REDUCER SP-SP</b></p>
		DIMENSIONS ARE IN INCHES	DRAWN	HUIZAR 08/14/15	
		TOLERANCES:	CHECKED	F.GRO 08/14/15	
		FRACTIONAL: ±1/64	ENG APPR.		
		ANGULAR: 0.125°	MFG APPR.		
		TWO PLACE DECIMAL ±0.010	Q.A.		SIZE <b>A</b> DWG. NO. <b>3247-3020S</b> REV <b>B</b>
		THREE PLACE DECIMAL ±0.005	COMMENTS:		
		INTERPRET GEOMETRIC TOLERANCING PER:			SCALE:
		MATERIAL			WEIGHT:
		<b>GRAY PVC</b>			SHEET 1 OF 1
		FINISH			
NEXT ASSY	USED ON				
APPLICATION		DO NOT SCALE DRAWING			