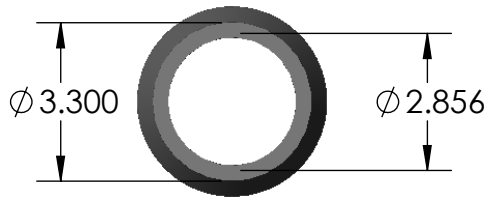


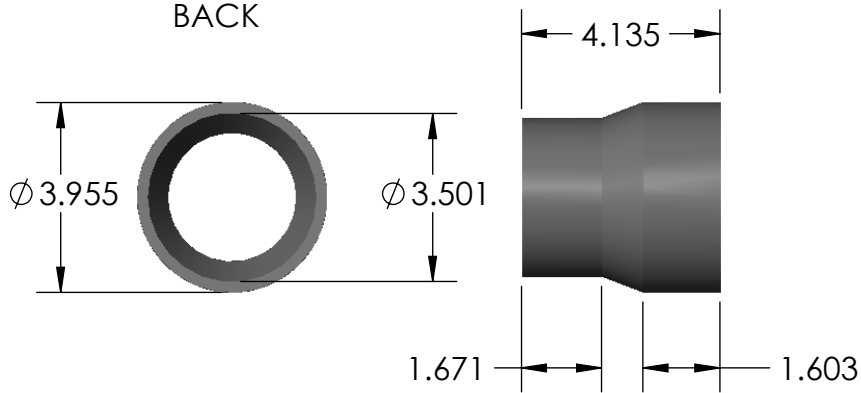
REV	CHANGE	DATE
B	IMAGE ENHANCEMENT	11/17/15

FRONT

ISOMETRIC



BACK



PROPRIETARY AND CONFIDENTIAL
 THE INFORMATION CONTAINED IN THIS DRAWING IS THE SOLE PROPERTY OF CALAM MFG. ANY REPRODUCTION IN PART OR AS A WHOLE WITHOUT THE WRITTEN PERMISSION OF CALAM MFG. IS PROHIBITED.

		UNLESS OTHERWISE SPECIFIED:	NAME	DATE
		DIMENSIONS ARE IN INCHES TOLERANCES: FRACTIONAL: $\pm 1/64$ ANGULAR: 0.125° TWO PLACE DECIMAL ± 0.010 THREE PLACE DECIMAL ± 0.005	DRAWN HUIZAR	06/02/14
		INTERPRET GEOMETRIC TOLERANCING PER:	CHECKED F.GRO	06/02/14
		MATERIAL GRAY PVC	ENG APPR.	
		FINISH	MFG APPR.	
NEXT ASSY	USED ON		Q.A.	
APPLICATION		DO NOT SCALE DRAWING	COMMENTS:	



TITLE:
3" S X 2 1/2" S SWEDGED REDUCERS, SCH 40 SOCKET

SIZE **A** DWG. NO. **3247-3025S** REV **B**

SCALE: WEIGHT: SHEET 1 OF 1