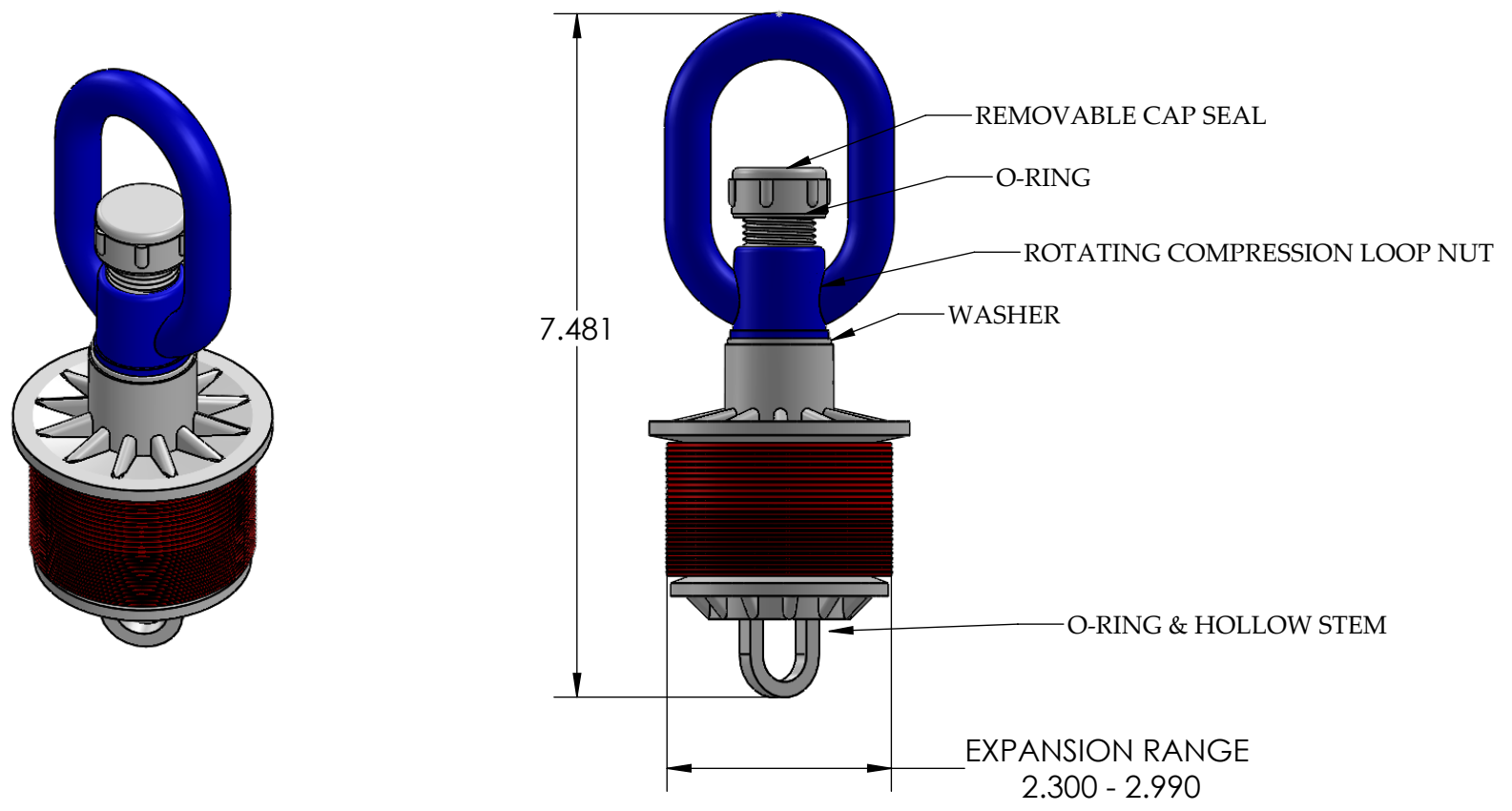



REV	CHANGE	DATE
B	IMAGE ENHANCEMENT	09/10/15



PROPRIETARY AND CONFIDENTIAL
 THE INFORMATION CONTAINED IN THIS DRAWING IS THE SOLE PROPERTY OF CALAM MFG. ANY REPRODUCTION IN PART OR AS A WHOLE WITHOUT THE WRITTEN PERMISSION OF CALAM MFG. IS PROHIBITED.

		UNLESS OTHERWISE SPECIFIED:	NAME	DATE	 TITLE: 2 1/2" KWIKIE PLUG, W/ LOOP NUT
		DIMENSIONS ARE IN INCHES	DRAWN	HUIZAR 06/02/14	
		TOLERANCES: FRACTIONAL ± 1/64 ANGULAR: 0.125° TWO PLACE DECIMAL ±0.010 THREE PLACE DECIMAL ±0.005	CHECKED	F.GRO 06/02/14	
		INTERPRET GEOMETRIC TOLERANCING PER:	ENG APPR.		
		MATERIAL SEE BOM	MFG APPR.		
NEXT ASSY	USED ON	FINISH	Q.A.		SIZE
APPLICATION		DO NOT SCALE DRAWING	COMMENTS:		DWG. NO.
					5120-25L
					REV
					B
			SCALE:	WEIGHT:	SHEET 1 OF 1