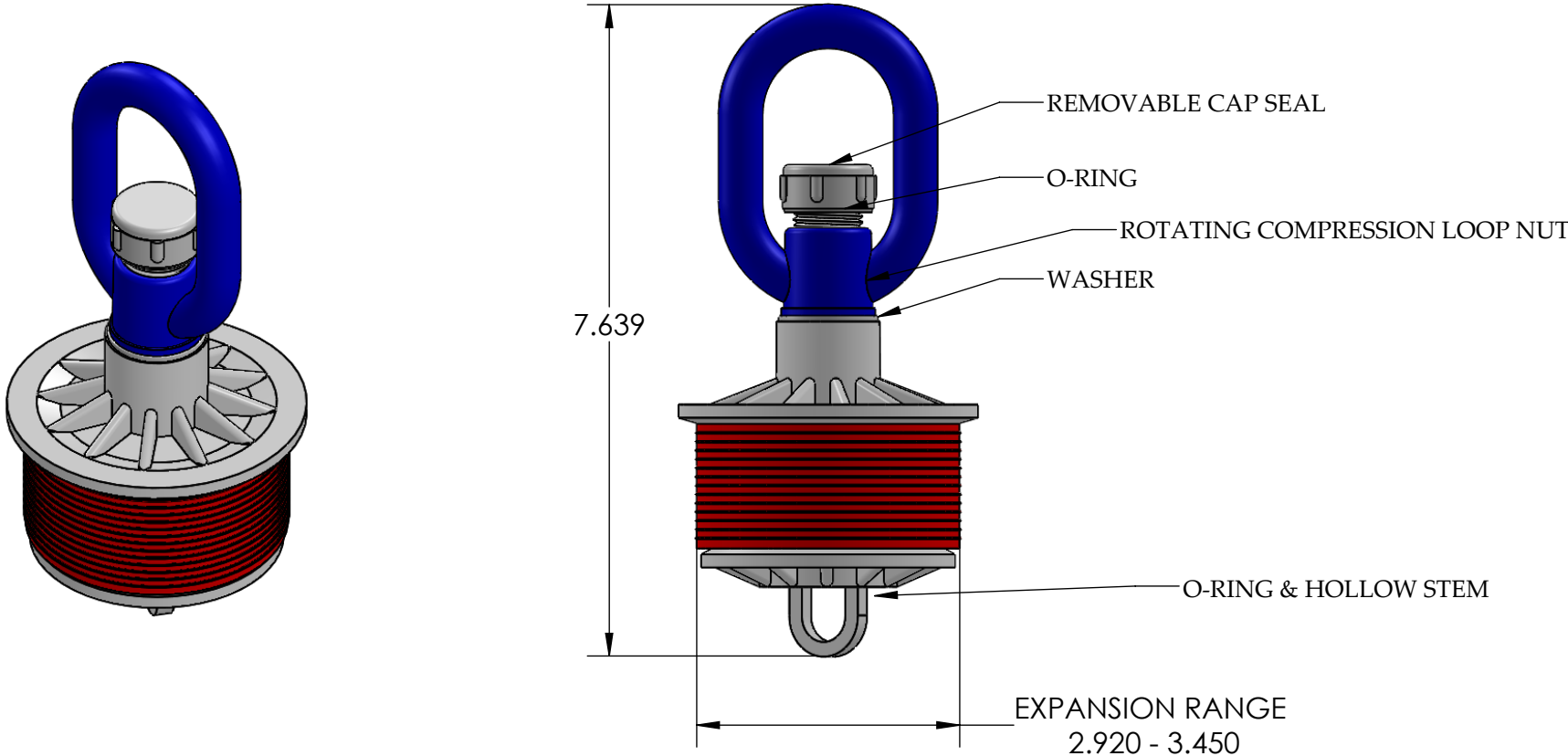


REV	CHANGE	DATE
B	IMAGE ENHANCEMENT	09/17/15



PROPRIETARY AND CONFIDENTIAL
 THE INFORMATION CONTAINED IN THIS DRAWING IS THE SOLE PROPERTY OF CALAM MFG. ANY REPRODUCTION IN PART OR AS A WHOLE WITHOUT THE WRITTEN PERMISSION OF CALAM MFG. IS PROHIBITED.

		UNLESS OTHERWISE SPECIFIED:	NAME	DATE
		DIMENSIONS ARE IN INCHES TOLERANCES: FRACTIONAL ± 1/64 ANGULAR: 0.125° TWO PLACE DECIMAL ±0.010 THREE PLACE DECIMAL ±0.005	DRAWN HUIZAR	06/02/14
		INTERPRET GEOMETRIC TOLERANCING PER:	CHECKED F.GRO	06/02/14
		MATERIAL SEE BOM	ENG APPR.	
		FINISH	MFG APPR.	
NEXT ASSY	USED ON		Q.A.	
APPLICATION		DO NOT SCALE DRAWING	COMMENTS:	



TITLE: 3" KWIKIE PLUG, W/ LOOP NUT		
SIZE A	DWG. NO. 5120-30L	REV B
SCALE:	WEIGHT:	SHEET 1 OF 1