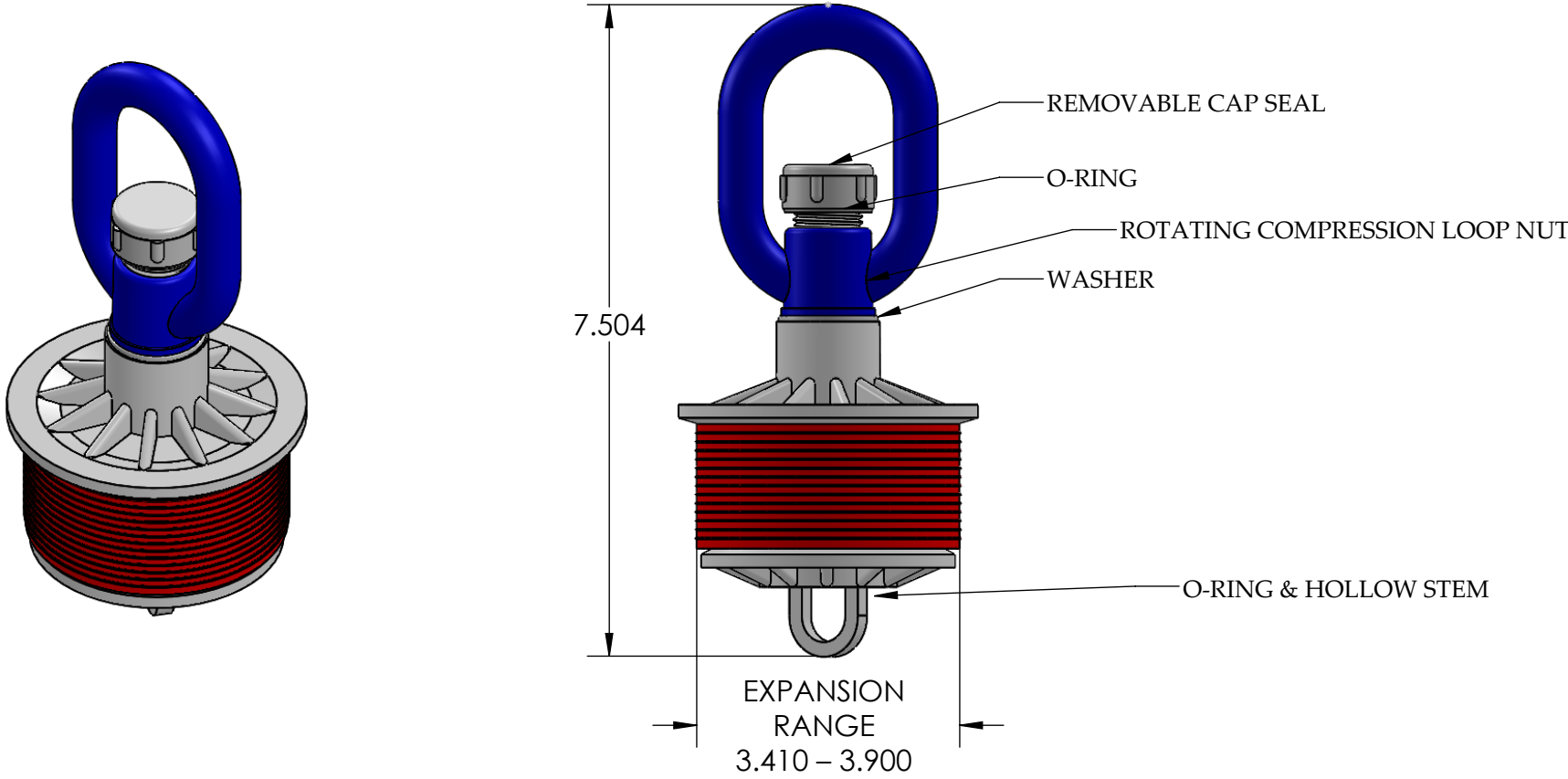


| REV | CHANGE | DATE |
|-----|-------------------|----------|
| B | IMAGE ENHANCEMENT | 09/21/15 |



PROPRIETARY AND CONFIDENTIAL
 THE INFORMATION CONTAINED IN THIS DRAWING IS THE SOLE PROPERTY OF CALAM MFG. ANY REPRODUCTION IN PART OR AS A WHOLE WITHOUT THE WRITTEN PERMISSION OF CALAM MFG. IS PROHIBITED.

| UNLESS OTHERWISE SPECIFIED: | | NAME | DATE |
|--------------------------------------|---------|-----------|-----------------|
| DIMENSIONS ARE IN INCHES | | DRAWN | HUIZAR 06/02/14 |
| TOLERANCES: | | CHECKED | F.GRO 06/02/14 |
| FRACTIONAL ± 1/64 | | ENG APPR. | |
| ANGULAR: 0.125° | | MFG APPR. | |
| TWO PLACE DECIMAL ±0.010 | | Q.A. | |
| THREE PLACE DECIMAL ±0.005 | | COMMENTS: | |
| INTERPRET GEOMETRIC TOLERANCING PER: | | | |
| MATERIAL | | | |
| SEE BOM | | | |
| NEXT ASSY | USED ON | | |
| FINISH | | | |
| APPLICATION | | | |
| DO NOT SCALE DRAWING | | | |

| | | |
|--|-----------------------------|-----------------|
| | | |
| TITLE: 3 1/2" KWIKIE PLUG, W/ LOOP NUT | | |
| SIZE A | DWG. NO. 5120-35L | REV B |
| SCALE: | WEIGHT: | SHEET 1 OF 1 |