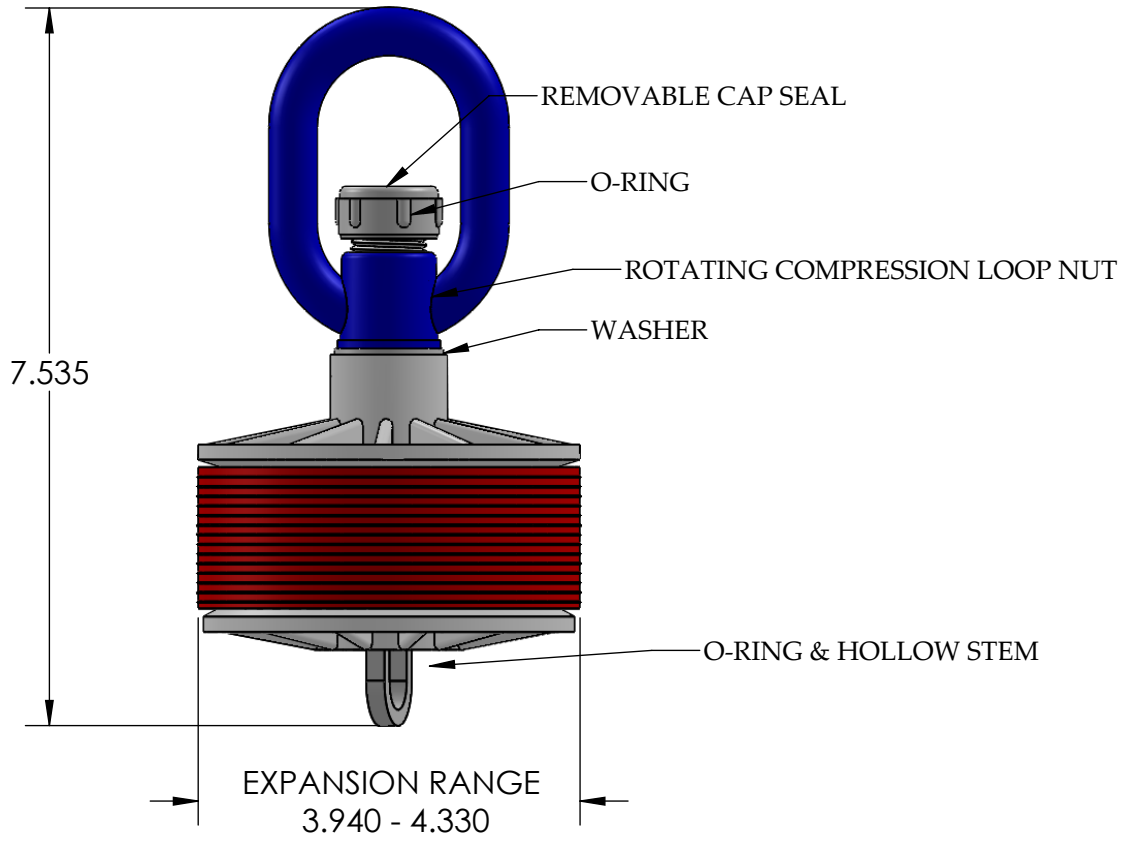
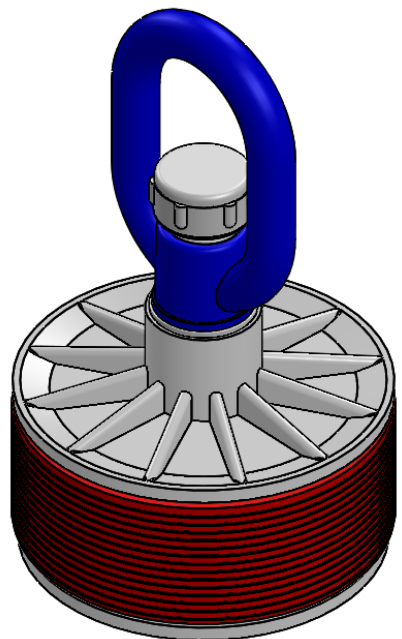


| | | |
|-----|-------------------|----------|
| REV | CHANGE | DATE |
| B | IMAGE ENHANCEMENT | 09/30/15 |



PROPRIETARY AND CONFIDENTIAL
 THE INFORMATION CONTAINED IN THIS DRAWING IS THE SOLE PROPERTY OF CALAM MFG. ANY REPRODUCTION IN PART OR AS A WHOLE WITHOUT THE WRITTEN PERMISSION OF CALAM MFG. IS PROHIBITED.

| | | | | | |
|-------------|---------|--------------------------------------|-----------|--------|----------|
| | | UNLESS OTHERWISE SPECIFIED: | | NAME | DATE |
| | | DIMENSIONS ARE IN INCHES | DRAWN | HUIZAR | 06/02/14 |
| | | TOLERANCES: | CHECKED | F.GRO | 06/02/14 |
| | | FRACTIONAL $\pm 1/64$ | ENG APPR. | | |
| | | ANGULAR: 0.125° | MFG APPR. | | |
| | | TWO PLACE DECIMAL ± 0.010 | Q.A. | | |
| | | THREE PLACE DECIMAL ± 0.005 | COMMENTS: | | |
| | | INTERPRET GEOMETRIC TOLERANCING PER: | | | |
| | | MATERIAL | | | |
| | | SEE BOM | | | |
| | | FINISH | | | |
| NEXT ASSY | USED ON | | | | |
| APPLICATION | | DO NOT SCALE DRAWING | | | |



TITLE:
**4" KWIKIE PLUG,
 W/ LOOP NUT INNER DUCT**

| | | |
|--------|----------|--------------|
| SIZE | DWG. NO. | REV |
| A | 5120-40P | B |
| SCALE: | WEIGHT: | SHEET 1 OF 1 |