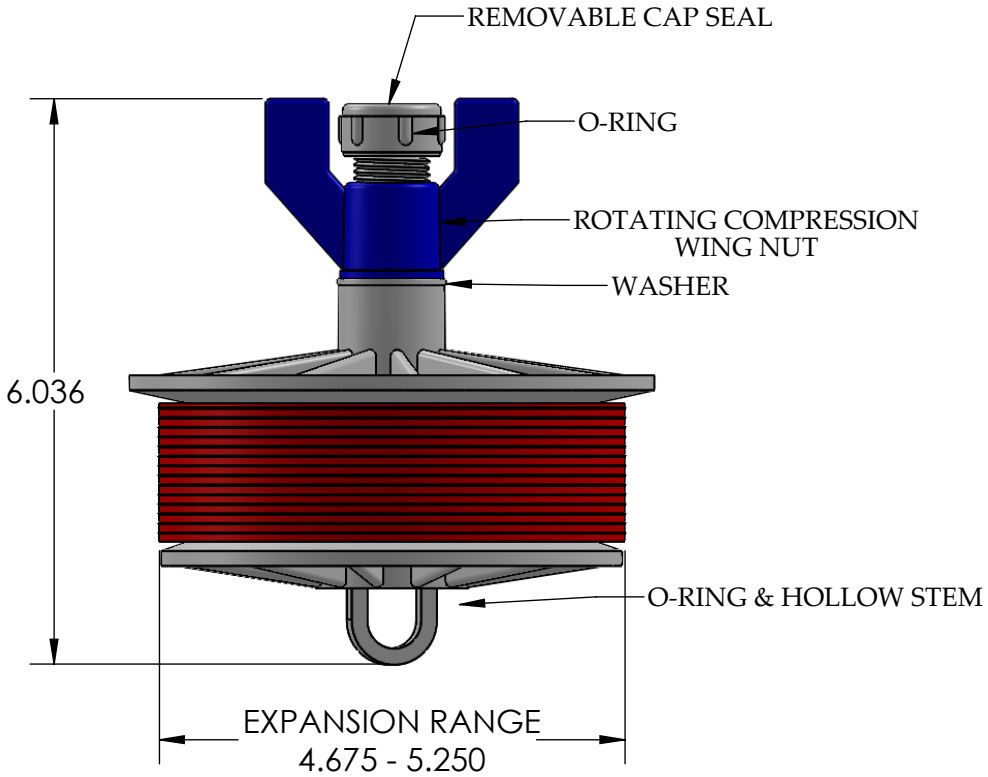
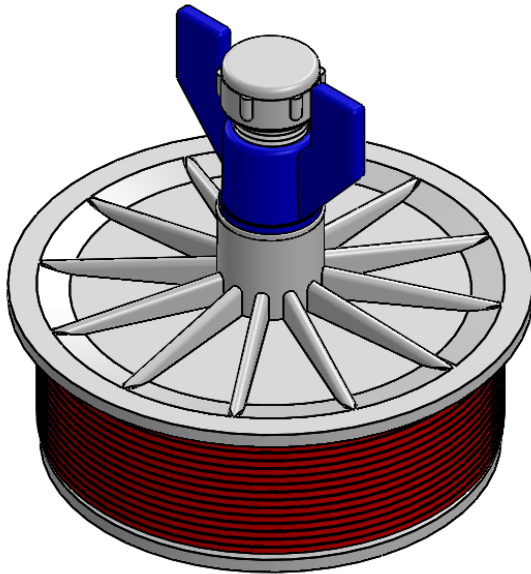


REV	CHANGE	DATE
B	IMAGE ENHANCEMENT	09/11/15



**PROPRIETARY AND CONFIDENTIAL**  
 THE INFORMATION CONTAINED IN THIS DRAWING IS THE SOLE PROPERTY OF CALAM MFG. ANY REPRODUCTION IN PART OR AS A WHOLE WITHOUT THE WRITTEN PERMISSION OF CALAM MFG. IS PROHIBITED.

		UNLESS OTHERWISE SPECIFIED:	NAME	DATE
		DIMENSIONS ARE IN INCHES	DRAWN	HUIZAR 06/02/14
		TOLERANCES:	CHECKED	F.GRO 06/02/14
		FRACTIONAL $\pm 1/64$	ENG APPR.	
		ANGULAR: $0.125^\circ$	MFG APPR.	
		TWO PLACE DECIMAL $\pm 0.010$	Q.A.	
		THREE PLACE DECIMAL $\pm 0.005$	COMMENTS:	
		INTERPRET GEOMETRIC TOLERANCING PER:		
		MATERIAL		
		SEE BOM		
NEXT ASSY	USED ON	FINISH		
APPLICATION		DO NOT SCALE DRAWING		



TITLE:		
<b>5" KWIKIE HOLLOW STEM SCH 80</b>		
SIZE	DWG. NO.	REV
A	5120-58	B
SCALE:	WEIGHT:	SHEET 1 OF 1