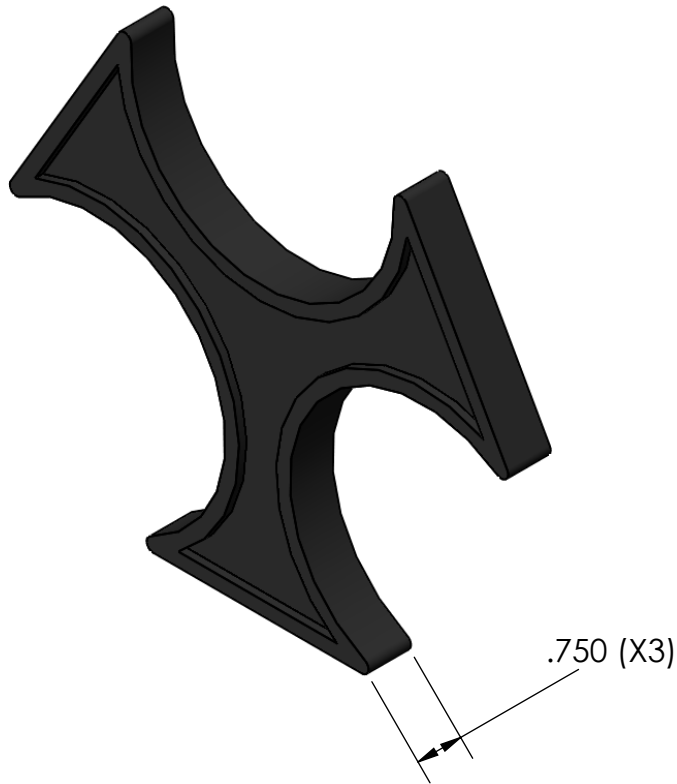
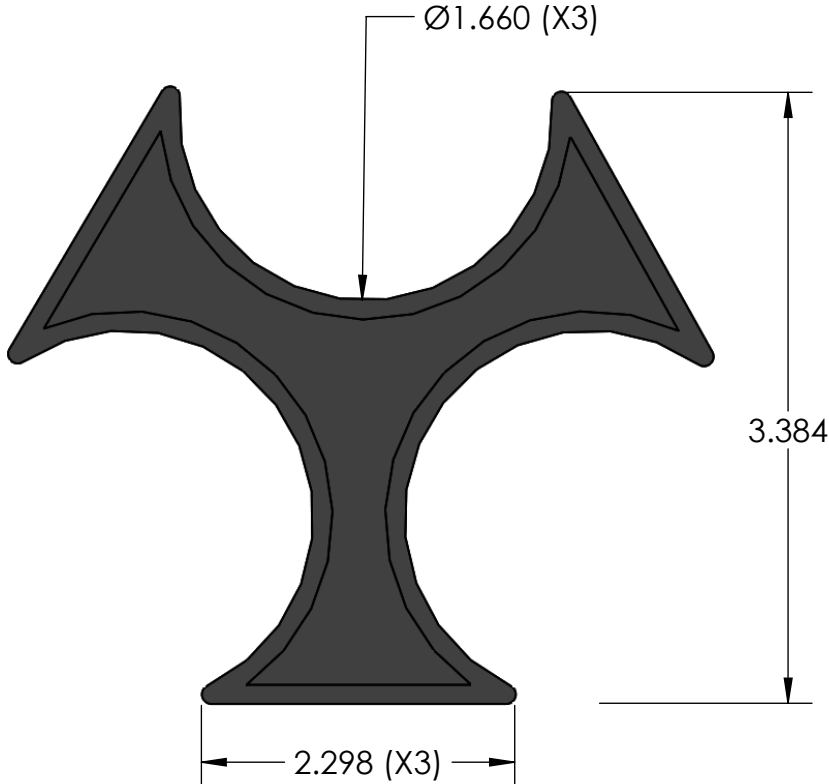


REV	CHANGE	DATE
B	IMAGE ENHANCEMENT	11/16/15



PROPRIETARY AND CONFIDENTIAL
 THE INFORMATION CONTAINED IN THIS DRAWING IS THE SOLE PROPERTY OF CALAM MFG. ANY REPRODUCTION IN PART OR AS A WHOLE WITHOUT THE WRITTEN PERMISSION OF CALAM MFG. IS PROHIBITED.

		UNLESS OTHERWISE SPECIFIED:		NAME	DATE
		DIMENSIONS ARE IN INCHES	DRAWN	HUIZAR	08/21/15
		TOLERANCES:	CHECKED	F.GRO	08/21/15
		FRACTIONAL: ±1/64	ENG APPR.		
		ANGULAR: 0.125°	MFG APPR.		
		TWO PLACE DECIMAL ±0.010	Q.A.		
		THREE PLACE DECIMAL ±0.005	COMMENTS:		
		INTERPRET GEOMETRIC TOLERANCING PER:			
		MATERIAL			
		ABS, BLACK			
		FINISH			
NEXT ASSY	USED ON				
APPLICATION		DO NOT SCALE DRAWING			



TITLE:		
CLIP SPACER 3 X 1.25"		
SIZE	DWG. NO.	REV
A	A3W-12	B
SCALE:	WEIGHT:	SHEET 1 OF 1