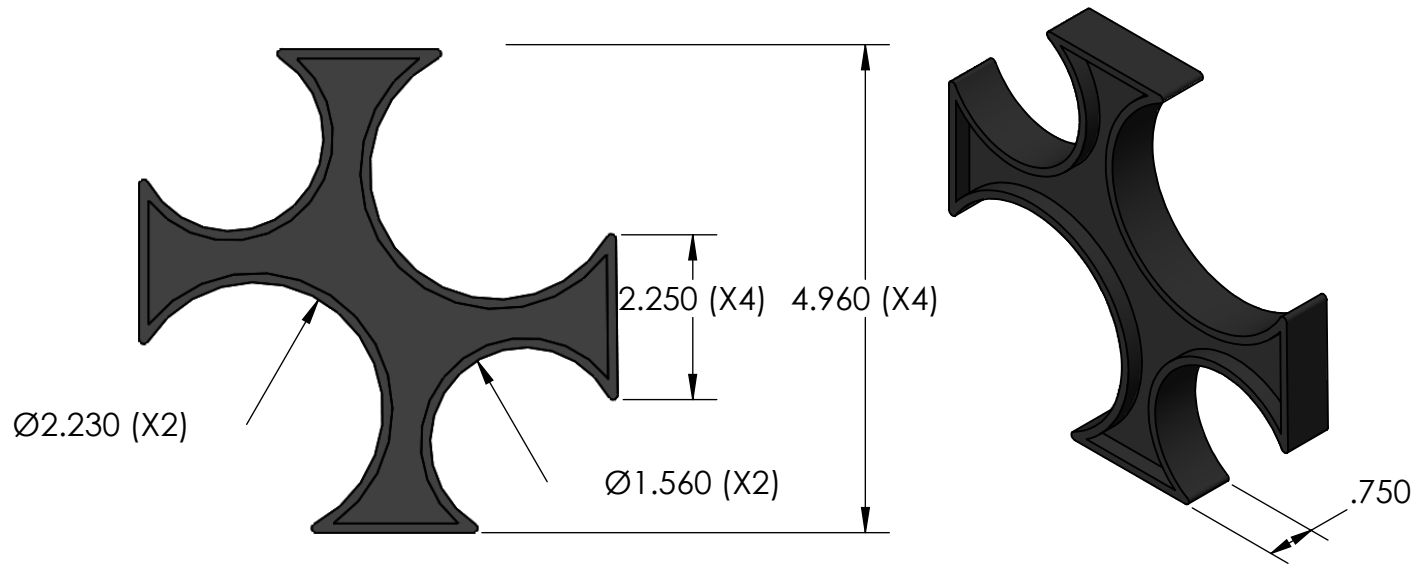



REV	CHANGE	DATE
B	IMAGE ENHANCEMENT	11/16/15



**PROPRIETARY AND CONFIDENTIAL**  
 THE INFORMATION CONTAINED IN THIS DRAWING IS THE SOLE PROPERTY OF CALAM MFG. ANY REPRODUCTION IN PART OR AS A WHOLE WITHOUT THE WRITTEN PERMISSION OF CALAM MFG. IS PROHIBITED.

		UNLESS OTHERWISE SPECIFIED:  DIMENSIONS ARE IN INCHES TOLERANCES: FRACTIONAL: ±1/64 ANGULAR: 0.125° TWO PLACE DECIMAL ±0.010 THREE PLACE DECIMAL ±0.005	NAME	DATE	  <b>TITLE:</b>  CLIP SPACER 4 WAY 2X2" / 2X1.25"
			DRAWN	HUIZAR 06/08/12	
			CHECKED	F.GRO 06/08/12	
			ENG APPR.		
			MFG APPR.		
		INTERPRET GEOMETRIC TOLERANCING PER:	Q.A.		SIZE A    DWG. NO. A4W-2-12 X 2    REV B
		MATERIAL	COMMENTS:		
		ABS, BLACK			
NEXT ASSY	USED ON	FINISH			SCALE:
APPLICATION		DO NOT SCALE DRAWING			WEIGHT:
					SHEET 1 OF 1

5

4

3

2

1