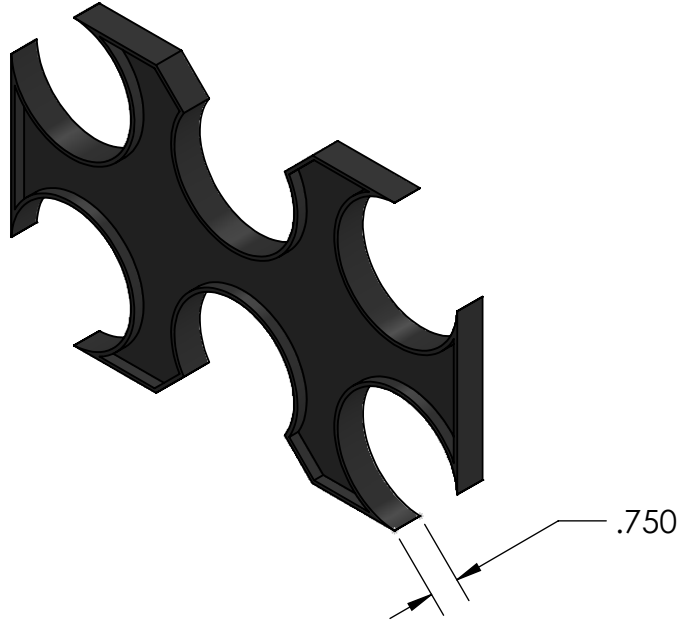
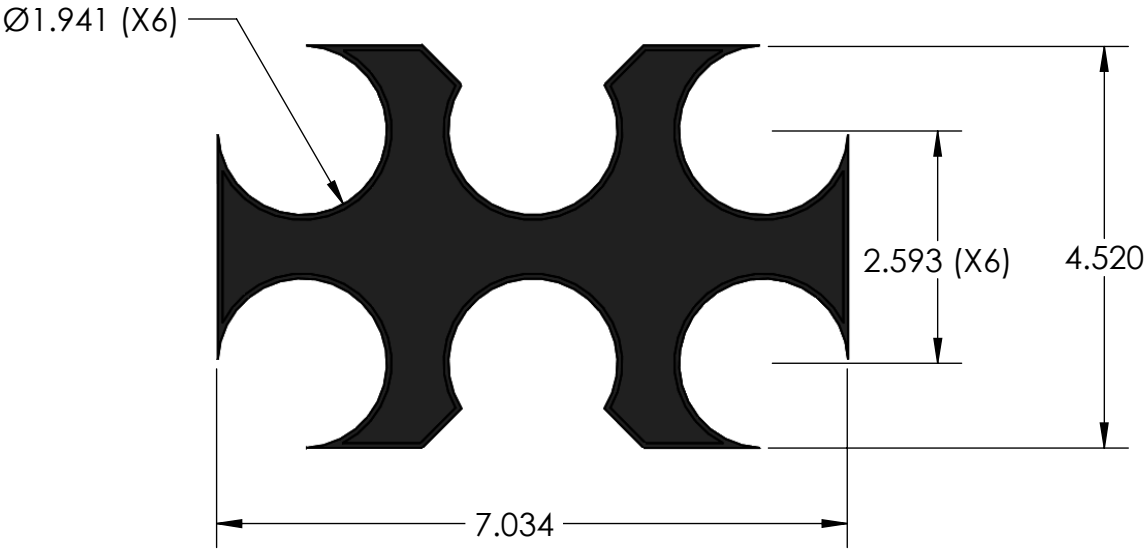



REV	CHANGE	DATE
C	IMAGE ENHANCEMENT	11/16/15



PROPRIETARY AND CONFIDENTIAL
 THE INFORMATION CONTAINED IN THIS DRAWING IS THE SOLE PROPERTY OF CALAM MFG. ANY REPRODUCTION IN PART OR AS A WHOLE WITHOUT THE WRITTEN PERMISSION OF CALAM MFG. IS PROHIBITED.

		UNLESS OTHERWISE SPECIFIED:	NAME	DATE		
		DIMENSIONS ARE IN INCHES TOLERANCES: FRACTIONAL: $\pm 1/64$ ANGULAR: 0.125° TWO PLACE DECIMAL ± 0.010 THREE PLACE DECIMAL ± 0.005	DRAWN	HUIZAR		04/13/11
		INTERPRET GEOMETRIC TOLERANCING PER:	CHECKED	F.GRO	04/13/11	TITLE: CLIP SPACER 6 X 1.50"
		MATERIAL ABS, BLACK	ENG APPR.			
		FINISH	MFG APPR.			
NEXT ASSY	USED ON		Q.A.			SIZE A
APPLICATION		DO NOT SCALE DRAWING	COMMENTS:			DWG. NO. A6W-15
						REV C
			SCALE:	WEIGHT:	SHEET 1 OF 1	

5

4

3

2

1