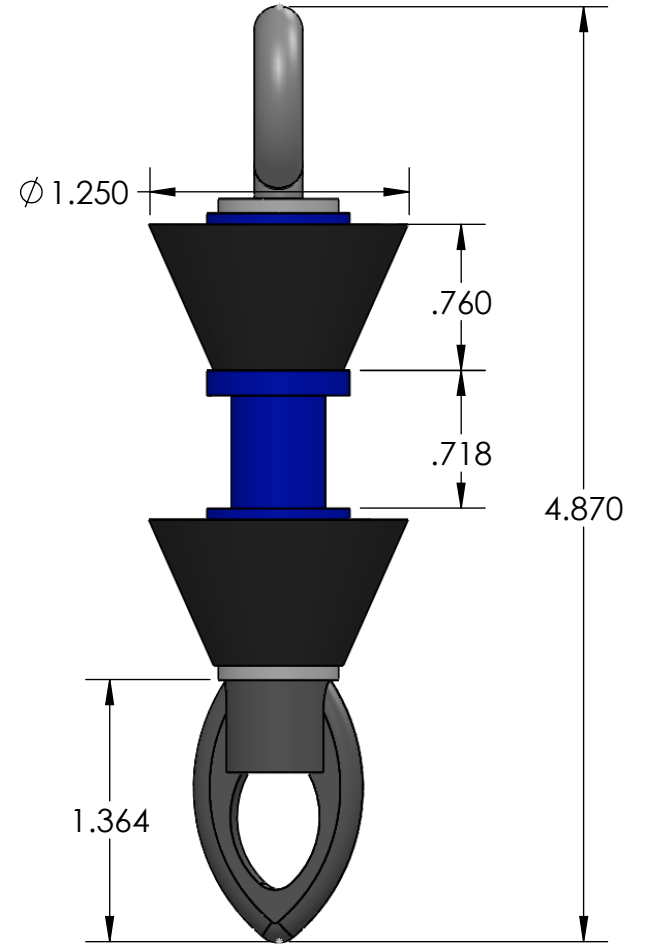
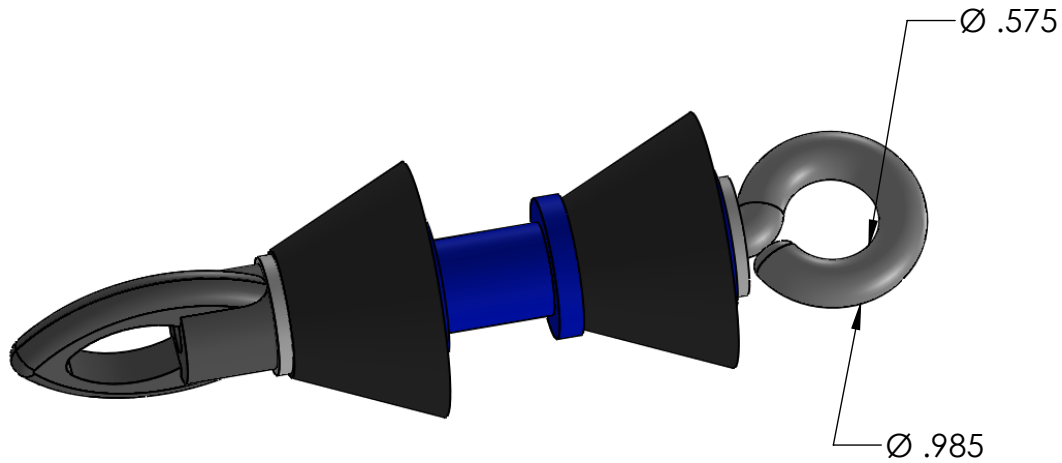



REV	CHANGE	DATE



PROPRIETARY AND CONFIDENTIAL
 THE INFORMATION CONTAINED IN THIS DRAWING IS THE SOLE PROPERTY OF CALAM MFG. ANY REPRODUCTION IN PART OR AS A WHOLE WITHOUT THE WRITTEN PERMISSION OF CALAM MFG. IS PROHIBITED.

		UNLESS OTHERWISE SPECIFIED:		NAME	DATE			
		DIMENSIONS ARE IN INCHES TOLERANCES: FRACTIONAL ± ANGULAR: MACH ± BEND ± TWO PLACE DECIMAL ± THREE PLACE DECIMAL ±	DRAWN	HUIZAR	08/05/15			TITLE: CALMISSL 1 1/4"
		INTERPRET GEOMETRIC TOLERANCING PER:	CHECKED	F.GRO	08/05/15	SIZE	DWG. NO.	
		MATERIAL	ENG APPR.			A	2110-011	A
		FINISH	MFG APPR.			SCALE:	WEIGHT:	SHEET 1 OF 1
NEXT ASSY	USED ON		Q.A.					
APPLICATION		DO NOT SCALE DRAWING	COMMENTS:					

5

4

3

2

1