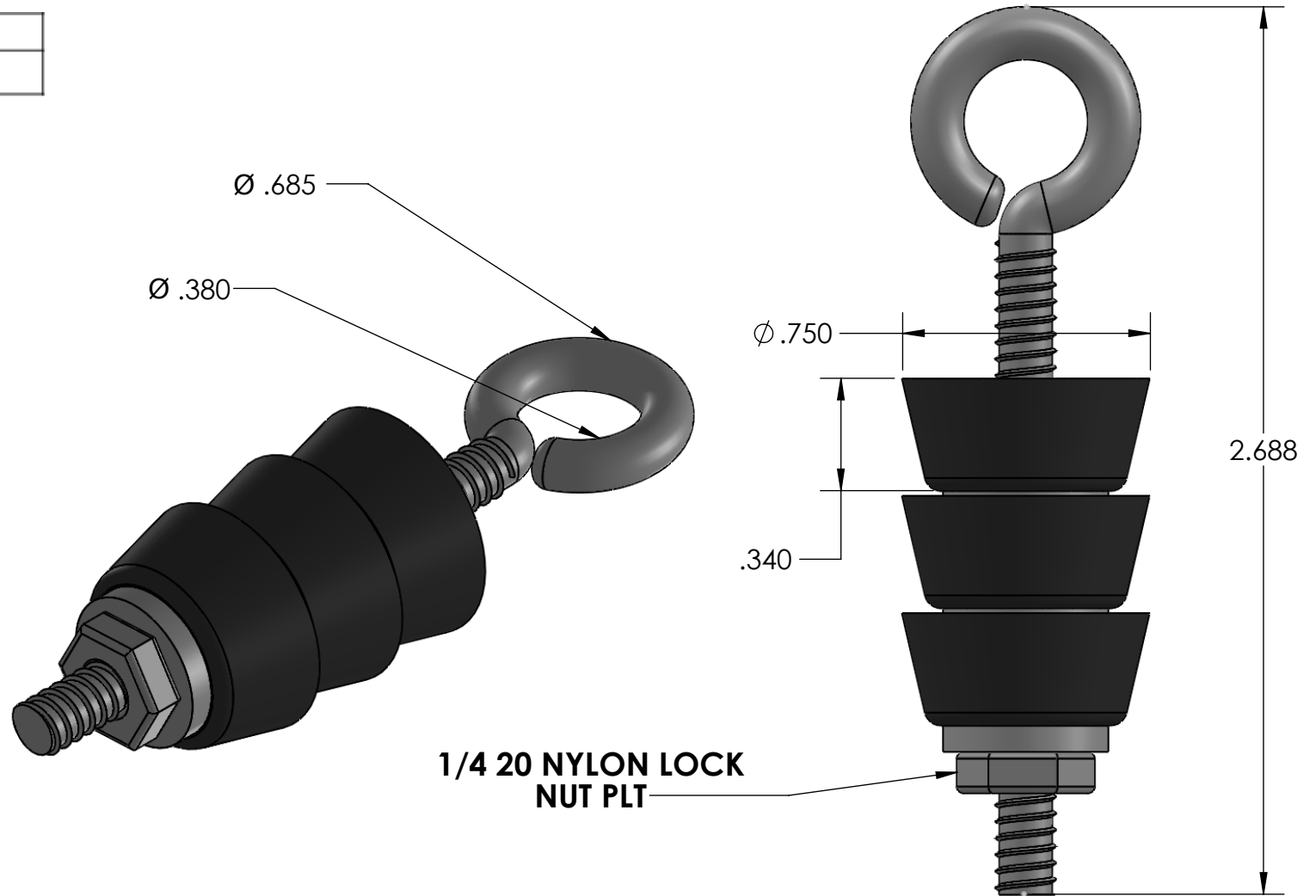



REV	CHANGE	DATE



PROPRIETARY AND CONFIDENTIAL
 THE INFORMATION CONTAINED IN THIS DRAWING IS THE SOLE PROPERTY OF CALAM MFG. ANY REPRODUCTION IN PART OR AS A WHOLE WITHOUT THE WRITTEN PERMISSION OF CALAM MFG. IS PROHIBITED.

		UNLESS OTHERWISE SPECIFIED:	NAME	DATE			
		DIMENSIONS ARE IN INCHES TOLERANCES: FRACTIONAL \pm ANGULAR: MACH \pm BEND \pm TWO PLACE DECIMAL \pm THREE PLACE DECIMAL \pm	DRAWN	HUIZAR 08/18/15		TITLE:	
		INTERPRET GEOMETRIC TOLERANCING PER:	CHECKED	F.GRO 08/18/15	INNER CUP PROJECTILE 3/4"		
		MATERIAL	ENG APPR.				
NEXT ASSY	USED ON	FINISH	MFG APPR.		SIZE A	DWG. NO. 2120-007	REV A
APPLICATION		DO NOT SCALE DRAWING	Q.A.		SCALE:	WEIGHT:	SHEET 1 OF 1
			COMMENTS:				

5

4

3

2

1