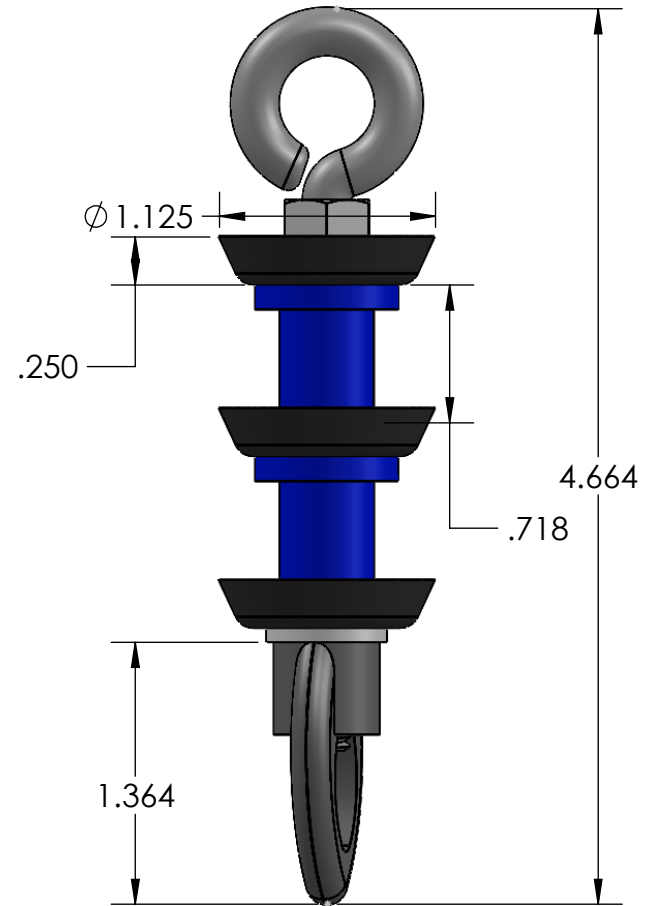
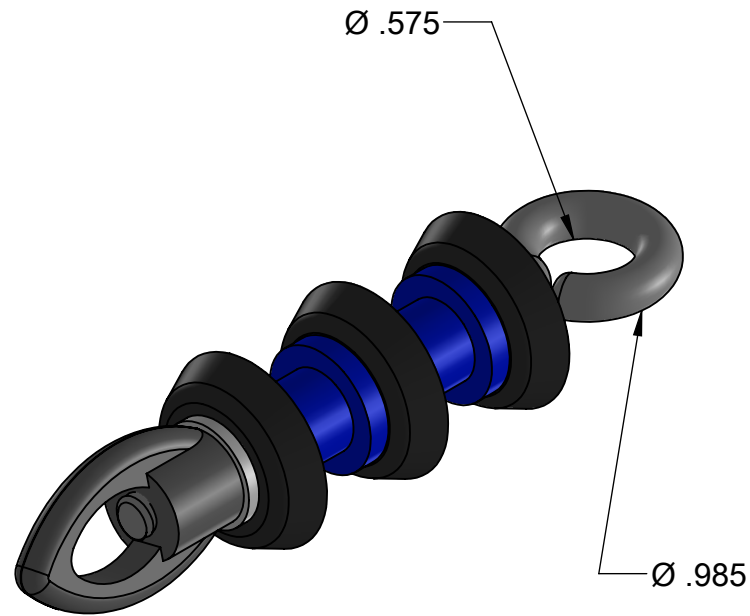



REV	CHANGE	DATE



**PROPRIETARY AND CONFIDENTIAL**  
 THE INFORMATION CONTAINED IN THIS DRAWING IS THE SOLE PROPERTY OF CALAM MFG. ANY REPRODUCTION IN PART OR AS A WHOLE WITHOUT THE WRITTEN PERMISSION OF CALAM MFG. IS PROHIBITED.

		UNLESS OTHERWISE SPECIFIED:		NAME	DATE	 <b>TITLE:</b> INNER CUP PROJECTILE 1/8"
		DIMENSIONS ARE IN INCHES	DRAWN	HUIZAR	08/18/15	
		TOLERANCES:	CHECKED	F.GRO	08/18/15	
		FRACTIONAL ±	ENG APPR.			
		ANGULAR: MACH ± BEND ±	MFG APPR.			
		TWO PLACE DECIMAL ±	Q.A.			SIZE <b>A</b> DWG. NO. 2120-011 REV <b>A</b>
		THREE PLACE DECIMAL ±	COMMENTS:			
		INTERPRET GEOMETRIC TOLERANCING PER:				SCALE:
		MATERIAL				WEIGHT:
NEXT ASSY	USED ON	FINISH				SHEET 1 OF 1
APPLICATION		DO NOT SCALE DRAWING				

5

4

3

2

1