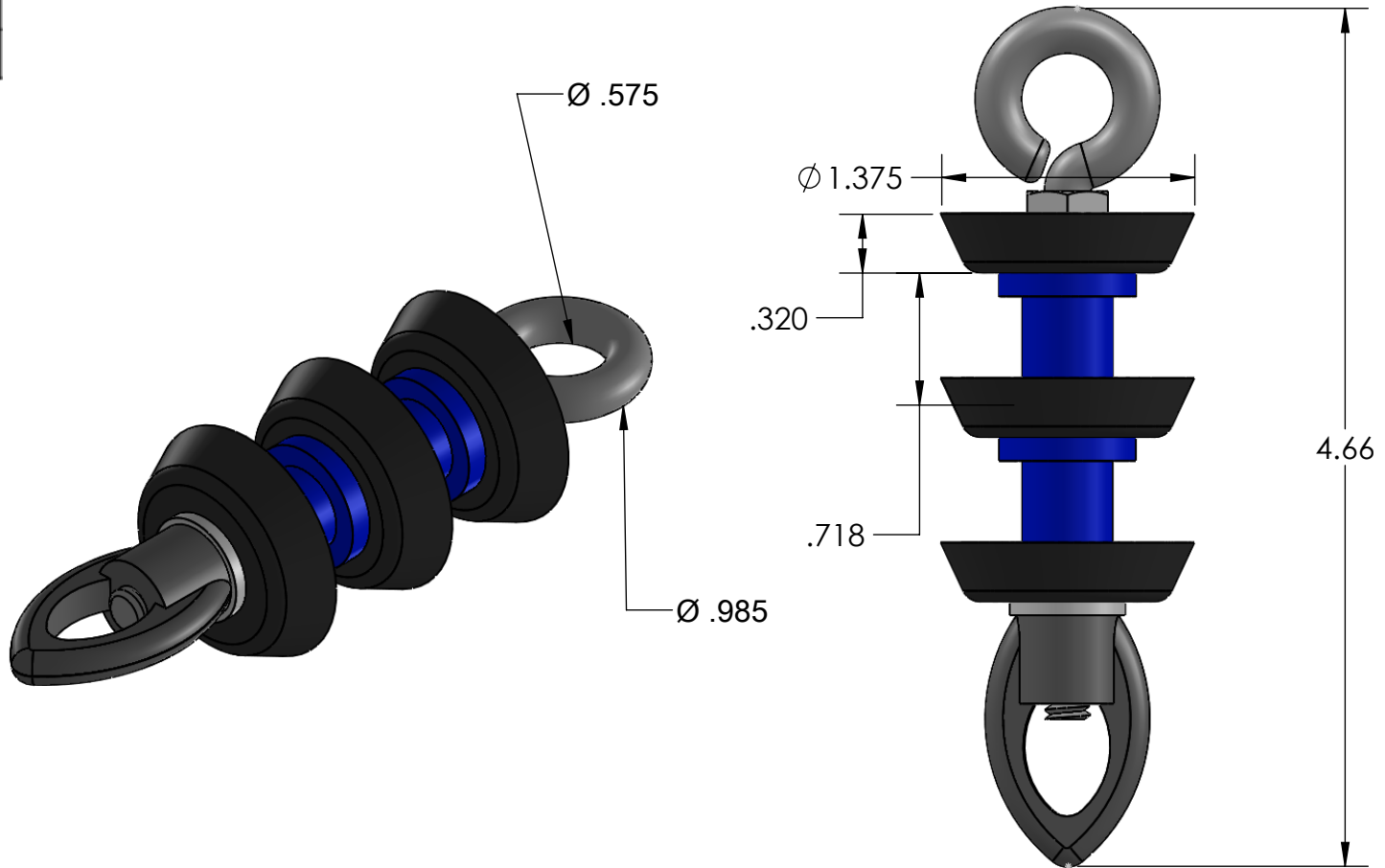



REV	CHANGE	DATE



PROPRIETARY AND CONFIDENTIAL
 THE INFORMATION CONTAINED IN THIS DRAWING IS THE SOLE PROPERTY OF CALAM MFG. ANY REPRODUCTION IN PART OR AS A WHOLE WITHOUT THE WRITTEN PERMISSION OF CALAM MFG. IS PROHIBITED.

		UNLESS OTHERWISE SPECIFIED:	NAME	DATE			
		DIMENSIONS ARE IN INCHES TOLERANCES: FRACTIONAL ± ANGULAR: MACH ± BEND ± TWO PLACE DECIMAL ± THREE PLACE DECIMAL ±	DRAWN	HUIZAR 08/17/15		TITLE:	
		INTERPRET GEOMETRIC TOLERANCING PER:	CHECKED	F.GRO 08/17/15	DUCT PROJECTILE 1 3/8"		
		MATERIAL	ENG APPR.				
		FINISH	MFG APPR.		SIZE	DWG. NO.	REV
NEXT ASSY	USED ON		Q.A.		A	2120-013	A
APPLICATION		DO NOT SCALE DRAWING	COMMENTS:		WEIGHT:		SHEET 1 OF 1