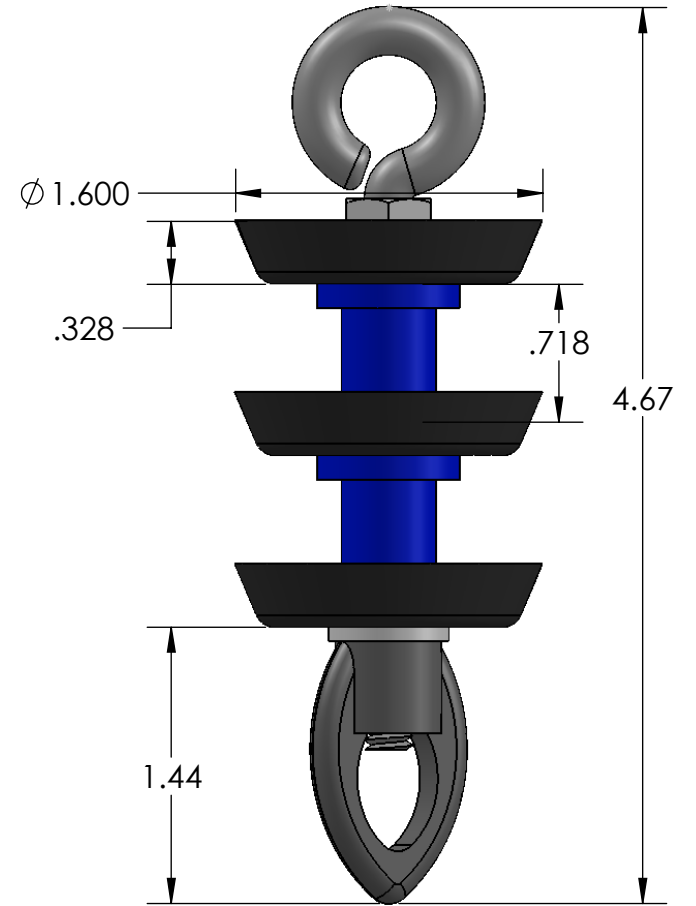
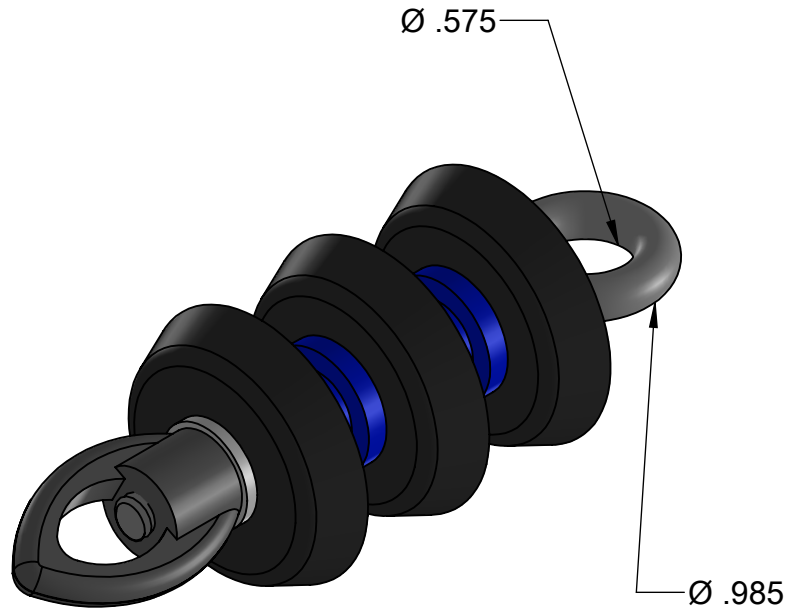



REV	CHANGE	DATE



PROPRIETARY AND CONFIDENTIAL
 THE INFORMATION CONTAINED IN THIS DRAWING IS THE SOLE PROPERTY OF CALAM MFG. ANY REPRODUCTION IN PART OR AS A WHOLE WITHOUT THE WRITTEN PERMISSION OF CALAM MFG. IS PROHIBITED.

		UNLESS OTHERWISE SPECIFIED:		NAME	DATE		
		DIMENSIONS ARE IN INCHES TOLERANCES: FRACTIONAL ± ANGULAR: MACH ± BEND ± TWO PLACE DECIMAL ± THREE PLACE DECIMAL ±	DRAWN	HUIZAR	08/17/15		TITLE:
		INTERPRET GEOMETRIC TOLERANCING PER:	CHECKED	F.GRO	08/17/15	INNER CUP PROJECTILE 1 1/2 "	
		MATERIAL	ENG APPR.				SIZE
		FINISH	MFG APPR.				DWG. NO.
NEXT ASSY	USED ON		Q.A.			2120-015	REV
APPLICATION		DO NOT SCALE DRAWING	COMMENTS:			A	A
						WEIGHT:	SHEET 1 OF 1

5

4

3

2

1