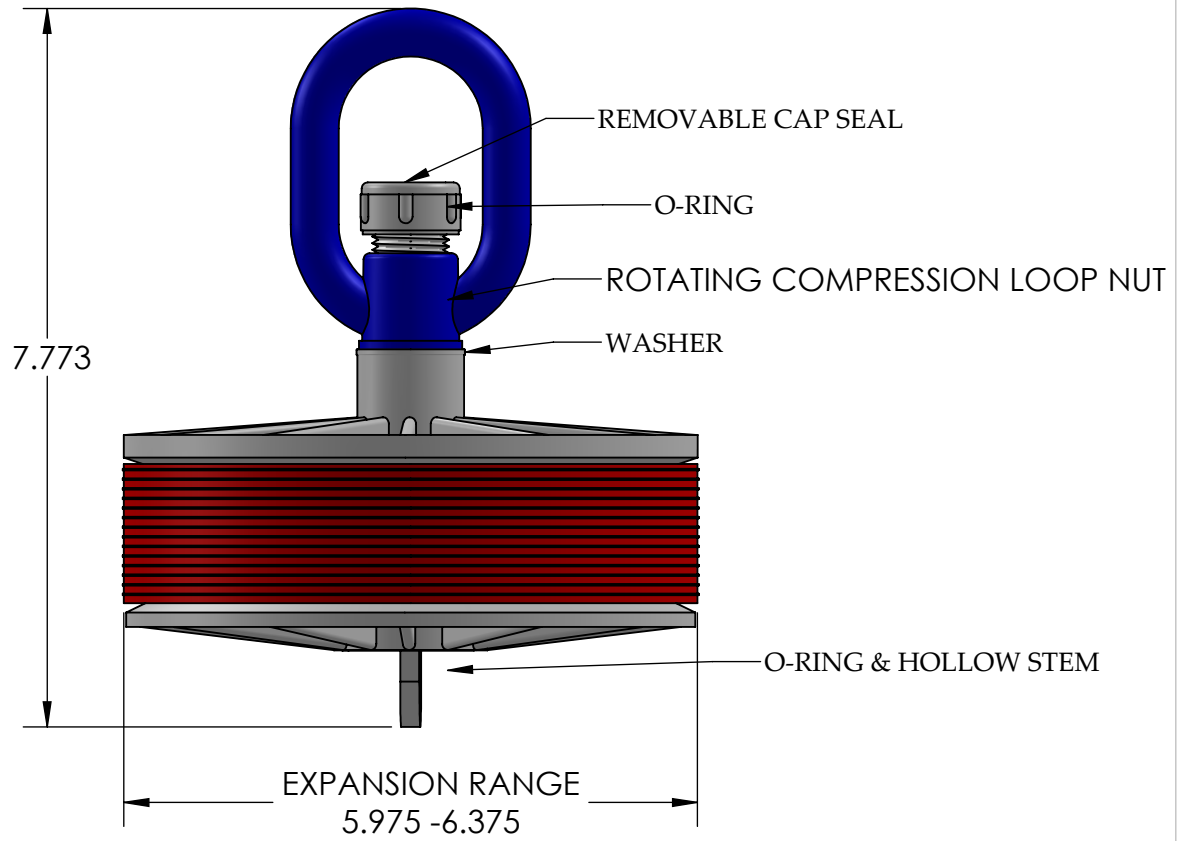
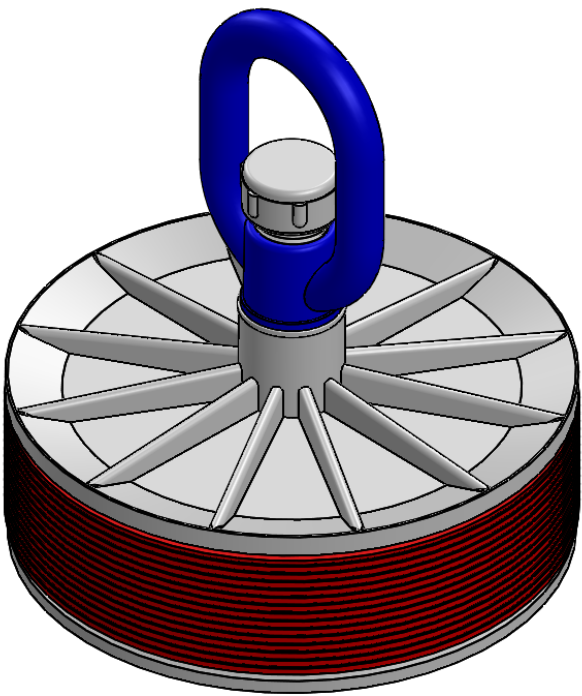


REV	CHANGE	DATE
B	IMAGE ENHANCEMENT	09/30/15



PROPRIETARY AND CONFIDENTIAL
THE INFORMATION CONTAINED IN THIS DRAWING IS THE SOLE PROPERTY OF CALAM MFG. ANY REPRODUCTION IN PART OR AS A WHOLE WITHOUT THE WRITTEN PERMISSION OF CALAM MFG. IS PROHIBITED.

UNLESS OTHERWISE SPECIFIED:		NAME	DATE
DIMENSIONS ARE IN INCHES		DRAWN	HUIZAR 06/02/14
TOLERANCES:		CHECKED	F.GRO 06/02/14
FRACTIONAL: 1/64		ENG APPR.	
ANGULAR: 0.125°		MFG APPR.	
TWO PLACE DECIMAL ±0.010		Q.A.	
THREE PLACE DECIMAL ±0.005		COMMENTS:	
INTERPRET GEOMETRIC TOLERANCING PER:			
MATERIAL			
SEE BOM			
FINISH			
NEXT ASSY	USED ON		
APPLICATION			
DO NOT SCALE DRAWING			



TITLE:
**6" KWIKIE PLUG,
W/ LOOP NUT INNER DUCT**

SIZE	DWG. NO.	REV
A	5120-60P	B
SCALE:	WEIGHT:	SHEET 1 OF 1