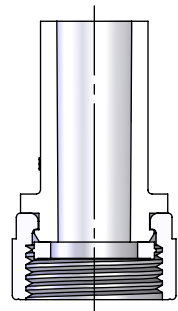
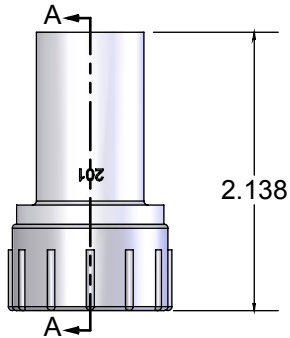
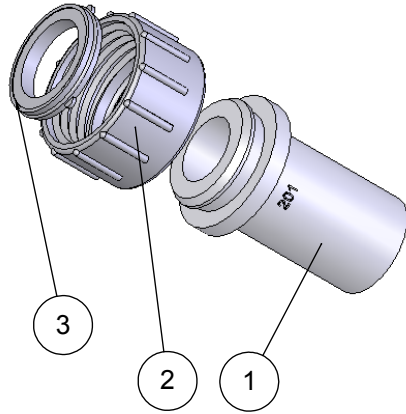
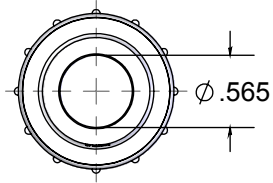


| ITEM NO. | DESCRIPTION | QTY. |
|----------|------------------|------|
| 1 | 1/2" IPS SPGT | 1 |
| 2 | 3/4" FHTH | 1 |
| 3 | 3/4" FHTS GASKET | 1 |

| REV | CHANGE | DATE |
|-----|-------------------|----------|
| B | IMAGE ENHANCEMENT | 11/26/15 |



SECTION A-A

PROPRIETARY AND CONFIDENTIAL
 THE INFORMATION CONTAINED IN THIS DRAWING IS THE SOLE PROPERTY OF CALAM MFG. ANY REPRODUCTION IN PART OR AS A WHOLE WITHOUT THE WRITTEN PERMISSION OF CALAM MFG. IS PROHIBITED.

| | | UNLESS OTHERWISE SPECIFIED: | NAME | DATE |
|-------------|---------|--|----------------------|----------|
| | | DIMENSIONS ARE IN INCHES TOLERANCES: FRACTIONAL ±1/64 ANGULAR: ±.125° TWO PLACE DECIMAL ±.010 THREE PLACE DECIMAL ±.005 | DRAWN M. MCMILLAN | 10/17/05 |
| | | INTERPRET GEOMETRIC TOLERANCING PER: | CHECKED F.GRO | 11/26/15 |
| | | MATERIAL RIGID PVC | ENG APPR. | |
| | | FINISH WHITE | MFG APPR. | |
| NEXT ASSY | USED ON | | Q.A. | |
| APPLICATION | | DO NOT SCALE DRAWING | COMMENTS: | |



TITLE:
 3/4" FHTS X 1/2" IPS SPGT

| | | |
|-----------|---------------------------------|----------|
| SIZE A | DWG. NO. 190021 (FHT 201) | REV B |
|-----------|---------------------------------|----------|