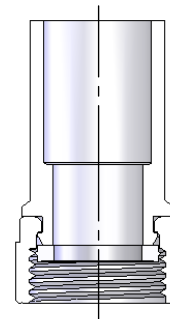
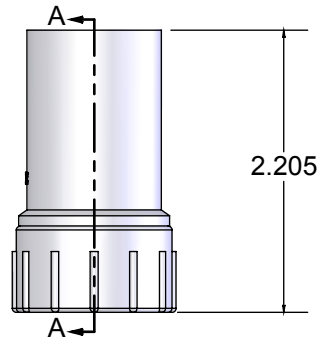
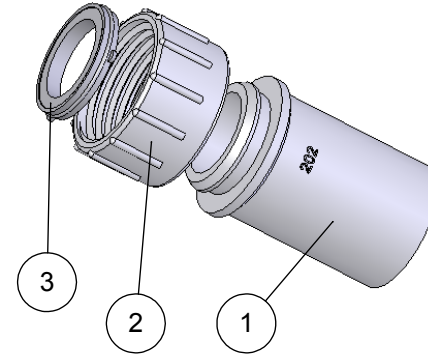
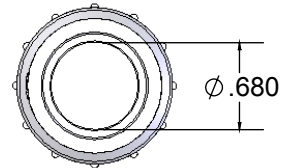



ITEM	DESCRIPTION	QTY.
1	3/4" IPS SPGT	1
2	3/4" FHTS	1
3	3/4" FHTS GASKET	1

REV	CHANGE	DATE
B	IMAGE ENHANCEMENT	11/26/15



SECTION A-A

PROPRIETARY AND CONFIDENTIAL
 THE INFORMATION CONTAINED IN THIS DRAWING IS THE SOLE PROPERTY OF CALAM MFG. ANY REPRODUCTION IN PART OR AS A WHOLE WITHOUT THE WRITTEN PERMISSION OF CALAM MFG. IS PROHIBITED.

		UNLESS OTHERWISE SPECIFIED:		NAME	DATE	
		DIMENSIONS ARE IN INCHES TOLERANCES: FRACTIONAL: ± 1/64 ANGULAR: ± .125° TWO PLACE DECIMAL ± .010 THREE PLACE DECIMAL ± .005	DRAWN	M.MC MILLAN	10/17/05	
		INTERPRET GEOMETRIC TOLERANCING PER:	CHECKED	F.GRO	11/26/15	
		MATERIAL RIGID PVC	ENG APPR.			
		FINISH WHITE	MFG APPR.			
		APPLICATION	Q.A.			SIZE A
		DO NOT SCALE DRAWING	COMMENTS:			
						REV B
						SHEET 1 OF 1