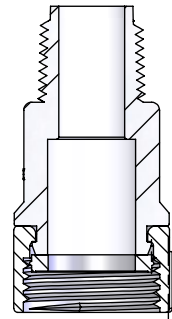
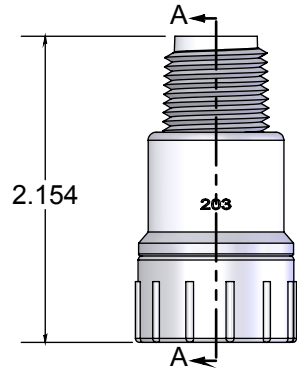
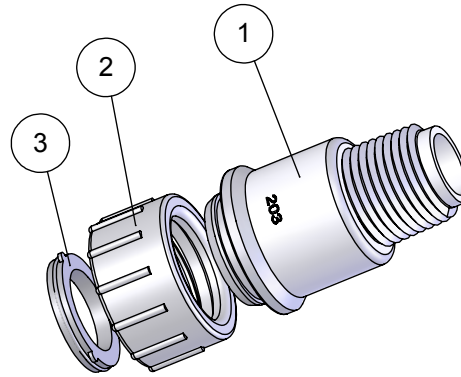
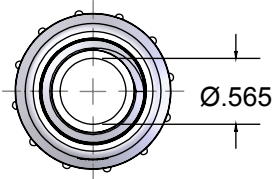



ITEM NO.	DESCRIPTION	QTY.
1	1/2" MIPT	1
2	3/4" FHTS	1
3	3/4" FHTS GASKET	1

REV	CHANGE	DATE
B	IMAGE ENHANCEMENT	12/04/15



SECTION A-A

PROPRIETARY AND CONFIDENTIAL
 THE INFORMATION CONTAINED IN THIS DRAWING IS THE SOLE PROPERTY OF CALAM MFG. ANY REPRODUCTION IN PART OR AS A WHOLE WITHOUT THE WRITTEN PERMISSION OF CALAM MFG. IS PROHIBITED.

		UNLESS OTHERWISE SPECIFIED:	NAME	DATE		
		DIMENSIONS ARE IN INCHES	DRAWN	M. MCMILLAN		10/17/05
		TOLERANCES: FRACTIONAL: ± 1/64 ANGULAR: ± .125° TWO PLACE DECIMAL ± .010 THREE PLACE DECIMAL ± .005	CHECKED	F.GRO		12/04/15
		INTERPRET GEOMETRIC TOLERANCING PER:	ENG APPR.			
		MATERIAL RIGID PVC	MFG APPR.			TITLE: 3/4" FHTS X 1/2" MIPT
		FINISH WHITE	Q.A.			
NEXT ASSY	USED ON		COMMENTS:			SIZE A
APPLICATION		DO NOT SCALE DRAWING				DWG. NO. 190023 (FHT 203)
						REV B
						SHEET 1 OF 1