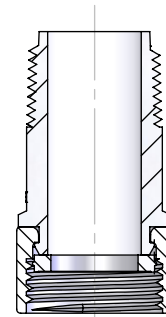
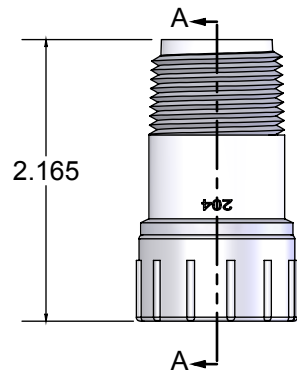
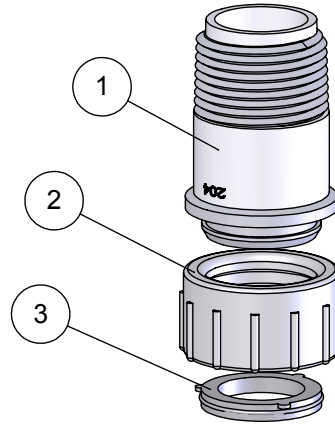
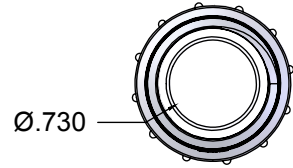



ITEM NO.	DESCRIPTION	QTY.
1	3/4" FHTS	1
2	3/4" MIPT	1
3	3/4" FHT GASKET	1

REV	CHANGE	DATE
B	IMAGE ENHANCEMENT	12/04/15



SECTION A-A

PROPRIETARY AND CONFIDENTIAL
 THE INFORMATION CONTAINED IN THIS DRAWING IS THE SOLE PROPERTY OF CALAM MFG. ANY REPRODUCTION IN PART OR AS A WHOLE WITHOUT THE WRITTEN PERMISSION OF CALAM MFG. IS PROHIBITED.

		UNLESS OTHERWISE SPECIFIED:		NAME	DATE	
		DIMENSIONS ARE IN INCHES	DRAWN	M. MCMILLAN	10/17/15	
		TOLERANCES:	CHECKED	F.GRO	12/04/15	
		FRACTIONAL: ±1/64	ENG APPR.			
		ANGULAR: ±.125°	MFG APPR.			TITLE:
		TWO PLACE DECIMAL ±.010	Q.A.			3/4" FHTS X 3/4" MIPT
		THREE PLACE DECIMAL ±.005	COMMENTS:			SIZE
		INTERPRET GEOMETRIC TOLERANCING PER:				DWG. NO.
		MATERIAL				190024
		RIGID PVC				(FHT 204)
		FINISH				REV
		WHITE				B
NEXT ASSY	USED ON					
APPLICATION		DO NOT SCALE DRAWING				SHEET 1 OF 1