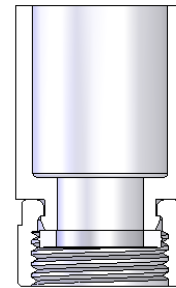
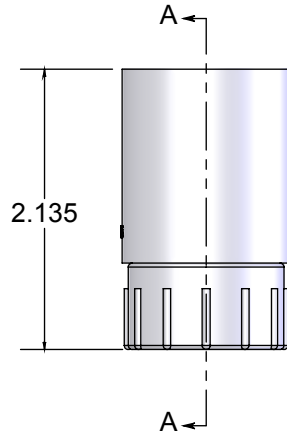
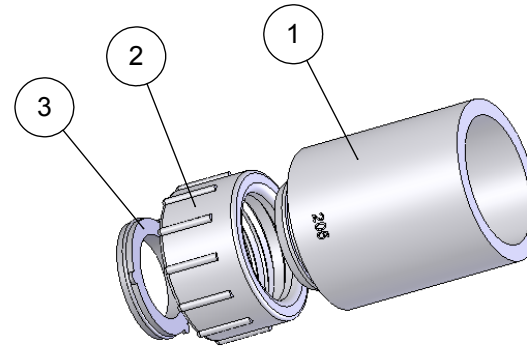
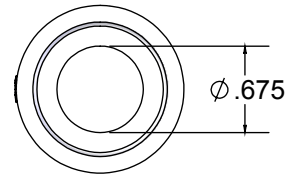



ITEM NO.	DESCRIPTION	QTY.
1	3/4" IPS SOC	1
2	3/4" FHTS	1
3	3/4" FHTS GASKET	1

REV	CHANGE	DATE
B	IMAGE ENHANCEMENT	11/26/15



SECTION A-A

PROPRIETARY AND CONFIDENTIAL
 THE INFORMATION CONTAINED IN THIS DRAWING IS THE SOLE PROPERTY OF CALAM MFG. ANY REPRODUCTION IN PART OR AS A WHOLE WITHOUT THE WRITTEN PERMISSION OF CALAM MFG. IS PROHIBITED.

		UNLESS OTHERWISE SPECIFIED:	NAME	DATE	 TITLE: 3/4" FHTS X 3/4" IPS SOC / 1" SPGT	
		DIMENSIONS ARE IN INCHES	DRAWN	M. MCMILLAN		10/17/05
		TOLERANCES: FRACTIONAL $\pm 1/64$ ANGULAR: MACH $\pm .125^\circ$ TWO PLACE DECIMAL $\pm .010$ THREE PLACE DECIMAL $\pm .005$	CHECKED	F.GRO		11/26/15
		INTERPRET GEOMETRIC TOLERANCING PER:	ENG APPR.			
		MATERIAL RIGID PVC	MFG APPR.			
		FINISH WHITE	Q.A.			
NEXT ASSY	USED ON		COMMENTS:			
APPLICATION		DO NOT SCALE DRAWING				
SIZE A	DWG. NO. 190025 (FHT 205)				REV B	
				SHEET 1 OF 1		