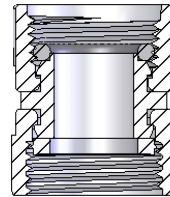
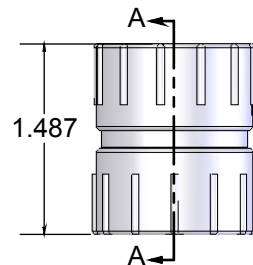
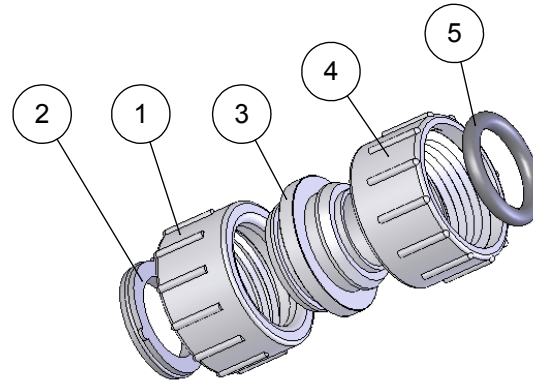
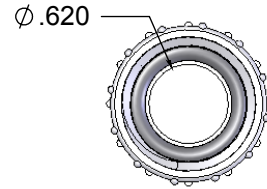



ITEM NO.	DESCRIPTION	QTY.
1	3/4" O-RING	1
2	3/4" FIPT SWIVEL	1
3	3/4" SWIVEL ADAPTER	1
4	3/4" FHT SWIVEL	1
5	3/4" GASKET	1

REV	CHANGE	DATE
B	IMAGE ENHANCEMENT	11/24/15



SECTION A-A

PROPRIETARY AND CONFIDENTIAL
 THE INFORMATION CONTAINED IN THIS DRAWING IS THE SOLE PROPERTY OF CALAM MFG. ANY REPRODUCTION IN PART OR AS A WHOLE WITHOUT THE WRITTEN PERMISSION OF CALAM MFG IS PROHIBITED.

		UNLESS OTHERWISE SPECIFIED:	NAME	DATE				
		DIMENSIONS ARE IN INCHES TOLERANCES: FRACTIONAL: ±1/64 ANGULAR: ±.125° TWO PLACE DECIMAL: ±.010 THREE PLACE DECIMAL: ±.005	DRAWN	M.MCMILLAN		10/17/05		
		INTERPRET GEOMETRIC TOLERANCING PER:	CHECKED	F.GRO	11/24/15	TITLE: 3/4" FHTS X 3/4" FIPT SWIVEL		
		MATERIAL RIGID PVC	ENG APPR.					
		FINISH WHITE	MFG APPR.					
NEXT ASSY	USED ON		Q.A.			SIZE A	DWG. NO. 190026 (FHT 206)	REV B
APPLICATION		DO NOT SCALE DRAWING	COMMENTS:		SHEET 1 OF 1			