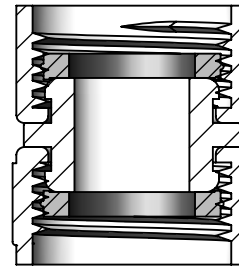
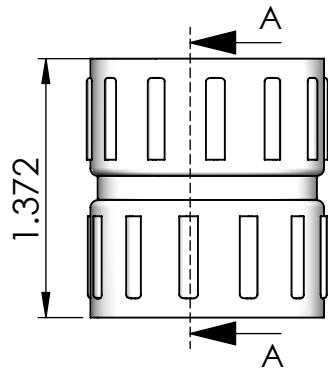
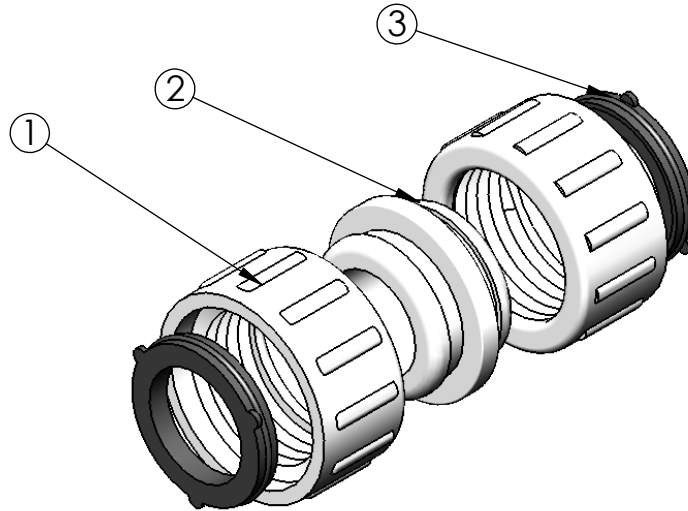
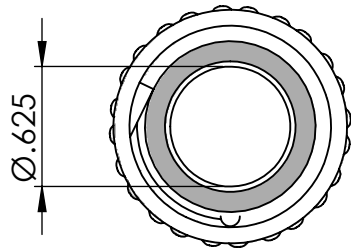


| ITEM NO. | DESCRIPTION | QTY |
|----------|--------------------------------|-----|
| 1 | 3/4" FHT SWIVEL W/OUT WSHR | 2 |
| 2 | 3/4" FHT 207 ADAPTER | 1 |
| 3 | 3/4" GARDEN HOSE WASHER BLK | 2 |

| REV | CHANGE | DATE |
|-----|--------|------|
| | | |



SECTIONA-A

PROPRIETARY AND CONFIDENTIAL
 THE INFORMATION CONTAINED IN THIS DRAWING IS THE SOLE PROPERTY OF CALAM MFG. ANY REPRODUCTION IN PART OR AS A WHOLE WITHOUT THE WRITTEN PERMISSION OF CALAM MFG. IS PROHIBITED.

| | | | | | |
|-------------|---------|--------------------------------------|-----------|--------|----------|
| | | UNLESS OTHERWISE SPECIFIED: | | NAME | DATE |
| | | DIMENSIONS ARE IN INCHES | DRAWN | HUIZAR | 12/07/15 |
| | | TOLERANCES: | CHECKED | F.GRO | 12/07/15 |
| | | FRACTIONAL: ±1/64 | ENG APPR. | | |
| | | ANGULAR: ±.125° | MFG APPR. | | |
| | | TWO PLACE DECIMAL ±.010 | Q.A. | | |
| | | THREE PLACE DECIMAL ±.005 | COMMENTS: | | |
| | | INTERPRET GEOMETRIC TOLERANCING PER: | | | |
| | | MATERIAL RIGID PVC | | | |
| NEXT ASSY | USED ON | FINISH WHITE | | | |
| APPLICATION | | DO NOT SCALE DRAWING | | | |



TITLE:
 3/4" FHT X 3/4" FHT SWIVEL

| | | |
|-----------|---------------------------------|----------|
| SIZE A | DWG. NO. 190027 (FHT 207) | REV A |
|-----------|---------------------------------|----------|