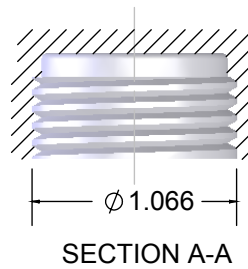
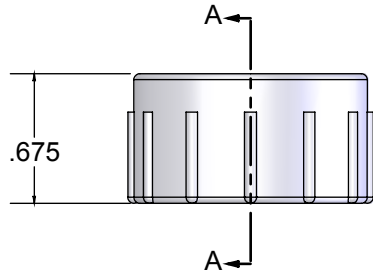
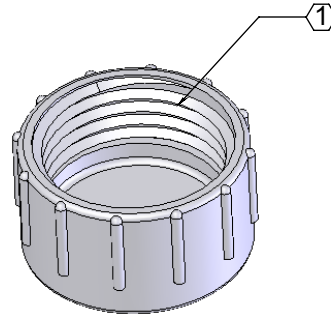
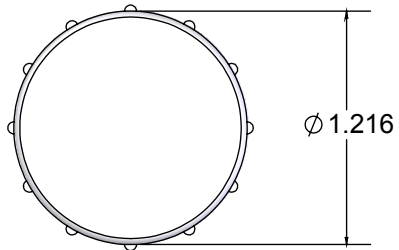



REV	CHANGE	DATE
B	IMAGE ENHANCEMENT	11/26/15



① = AMERICAN STANDARD HOSE COUPLING THREAD FEMALE

PROPRIETARY AND CONFIDENTIAL
 THE INFORMATION CONTAINED IN THIS DRAWING IS THE SOLE PROPERTY OF CALAM MFG. ANY REPRODUCTION IN PART OR AS A WHOLE WITHOUT THE WRITTEN PERMISSION OF CALAM MFG. IS PROHIBITED.

		UNLESS OTHERWISE SPECIFIED:	NAME	DATE	 TITLE: 3/4" FHT CAP	
		DIMENSIONS ARE IN INCHES TOLERANCES: FRACTIONAL $\pm 1/64$ ANGULAR: MACH $\pm .125^\circ$ TWO PLACE DECIMAL $\pm .010$ THREE PLACE DECIMAL $\pm .005$	DRAWN	M. MCMILLAN 10/17/05		
		INTERPRET GEOMETRIC TOLERANCING PER:	CHECKED	F.GRO 11/26/15		
		MATERIAL RIGID PVC	ENG APPR.			
		FINISH WHITE	MFG APPR.			
		DO NOT SCALE DRAWING	Q.A.		SIZE A	
			COMMENTS:			DWG. NO. 190031 (FHT 301)
				7.3 gm		REV B
						SHEET 1 OF 1