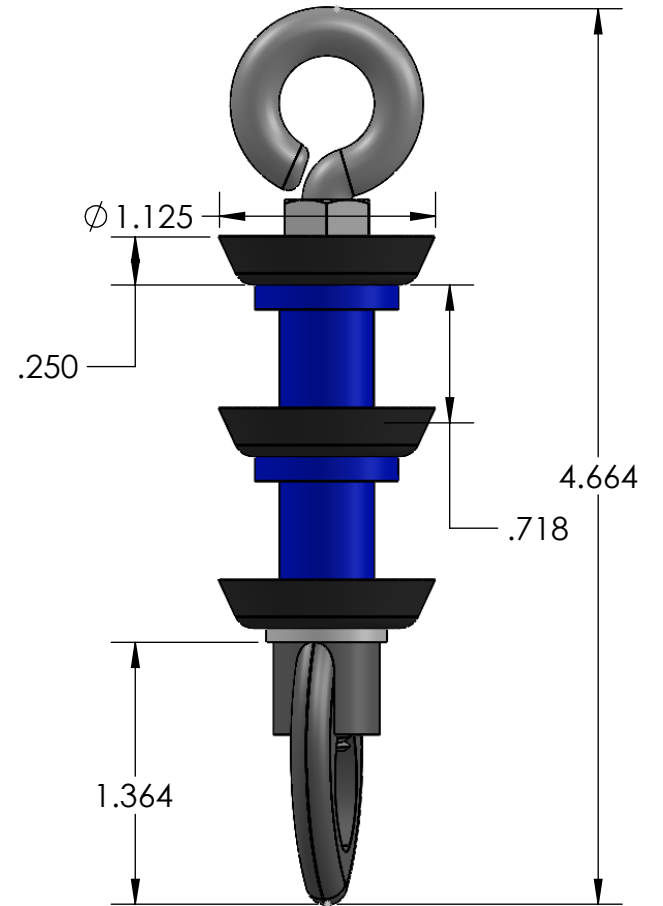
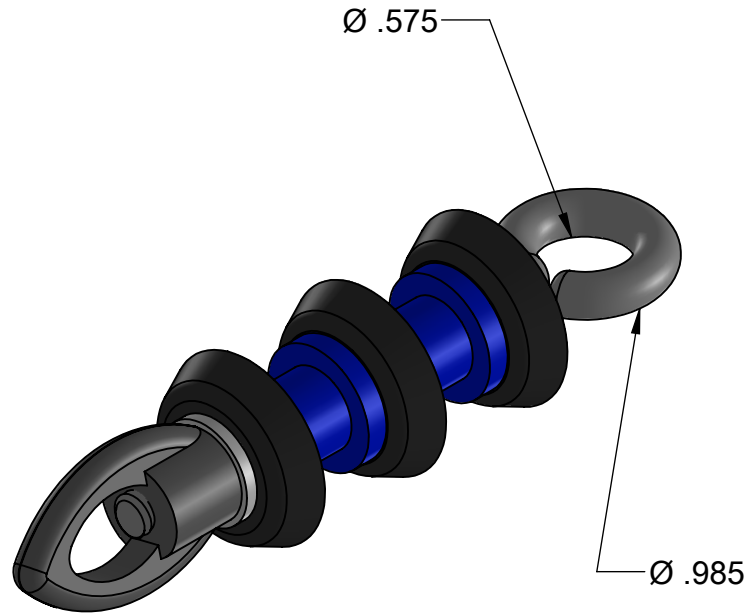



REV	CHANGE	DATE
B	CORR. TITLE	2/05/2016



PROPRIETARY AND CONFIDENTIAL
 THE INFORMATION CONTAINED IN THIS DRAWING IS THE SOLE PROPERTY OF CALAM MFG. ANY REPRODUCTION IN PART OR AS A WHOLE WITHOUT THE WRITTEN PERMISSION OF CALAM MFG. IS PROHIBITED.

		UNLESS OTHERWISE SPECIFIED:		NAME	DATE			
		DIMENSIONS ARE IN INCHES TOLERANCES: FRACTIONAL ± ANGULAR: MACH ± BEND ± TWO PLACE DECIMAL ± THREE PLACE DECIMAL ±	DRAWN	HUIZAR	08/18/15		TITLE: INNER CUP PROJECTILE 1 1/8"	
		INTERPRET GEOMETRIC TOLERANCING PER:	CHECKED	F.GRO	08/18/15			
		MATERIAL	ENG APPR.					
		FINISH	MFG APPR.					
NEXT ASSY	USED ON		Q.A.			SIZE	DWG. NO.	REV
		APPLICATION	COMMENTS:			A	2120-011	B
		DO NOT SCALE DRAWING				SCALE:	WEIGHT:	SHEET 1 OF 1

5

4

3

2

1