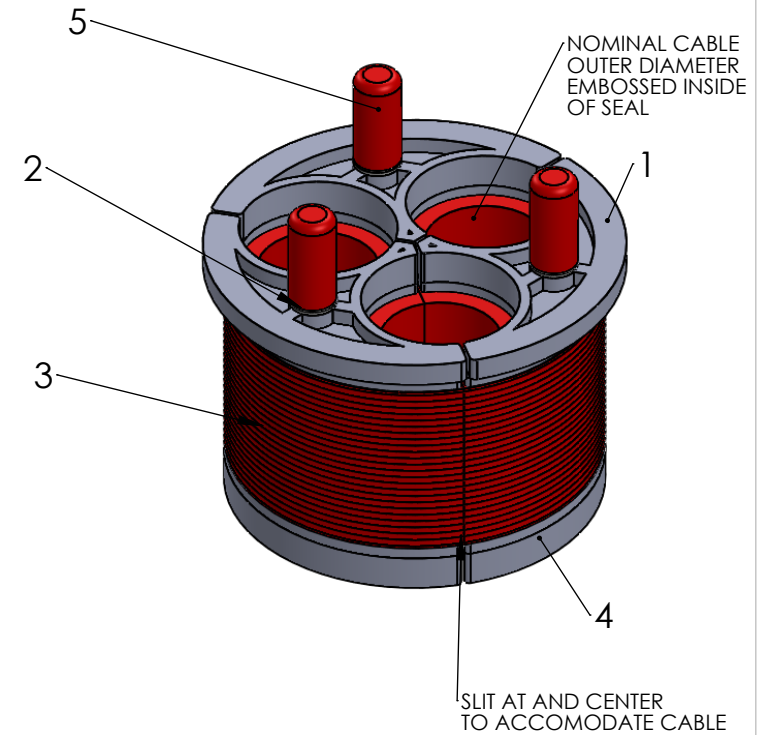
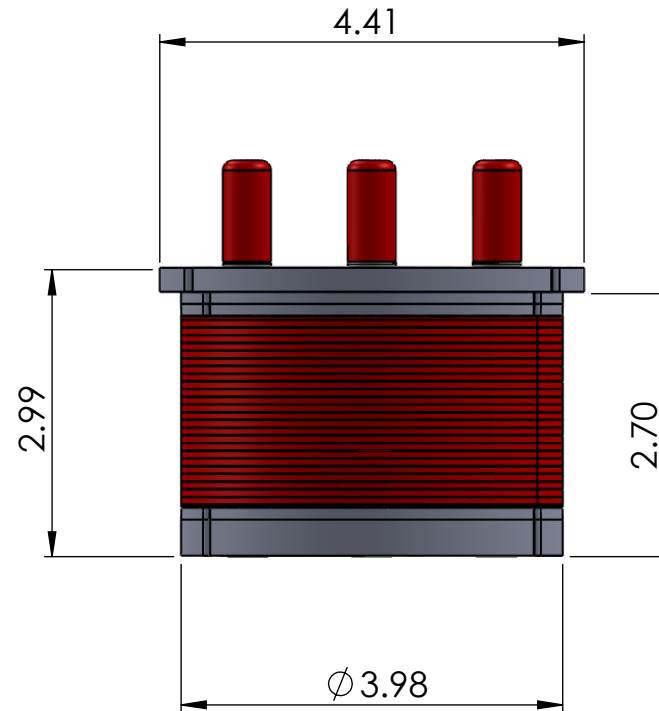


PART NO.	NOM CABLE OD.	RANGE
7340-165	1.65	1.63-1.67
7340-160	1.60	1.58-1.62
7340-155	1.55	1.48-1.52
7340-150	1.50	1.43-1.47
7340-145	1.45	1.43-1.47
7340-140	1.40	1.38-1.42
7340-135	1.35	1.33-1.37
7340-130	1.30	1.28-1.32
7340-125	1.25	1.23-1.27
7340-120	1.20	1.18-1.22
7340-115	1.15	1.13-1.17
7340-110	1.10	1.08-1.12
7340-105	1.05	1.03-1.070
7340-100	1.00	.098-1.02
7340-095	0.95	.093-.097
7340-090	0.90	.088-.092
7340-085	0.85	.083-.087
7340-080	0.80	.078-.082
7340-075	0.75	.073-.077

Rev.	Change	Date
B	Seal from black to red. Same properties	03/01/16



- 1: Top compression plate - PVC
- 2: Stainless steel washer bolt and coupling
- 3: Thermoplastic elastomer seal. Red
- 4: Bottom compression plate - PVC
- 5: Bolt & coupling protector PVC

PROPRIETARY AND CONFIDENTIAL
 THE INFORMATION CONTAINED IN THIS DRAWING IS THE SOLE PROPERTY OF <CALAM MFG>. ANY REPRODUCTION IN PART OR AS A WHOLE WITHOUT THE WRITTEN PERMISSION OF <CALAM MFG> IS PROHIBITED.

		UNLESS OTHERWISE SPECIFIED:	NAME	DATE
		DIMENSIONS ARE IN INCHES TOLERANCES: FRACTIONALS+-.5 TWO PLACE DECIMAL+.010 THREE PLACE DECIMAL+-.005 FOUR PLACE DECIMAL+-.0005	DRAWN E.GARCIA	06/02/14
		INTERPRET GEOMETRIC TOLERANCING PER:	CHECKED F.GRO	06/02/14
			ENG APPR.	
			MFG APPR.	B.ARNOLD 06/02/14
			ANN.	INCHES
			COMMENTS:	
NEXT ASSY	USED ON			
APPLICATION		DO NOT SCALE DRAWING		



TITLE:
**WEDGE SEAL 3-WAY 4" DUCT
 SCH. 40. UNDERGROUND FIBER
 OPTICAL/ELECTRIC SEAL**

SIZE	DWG. NO.	REV
A	1734XXX	B
SCALE: 1:5	WEIGHT:	SHEET 1 OF 1