

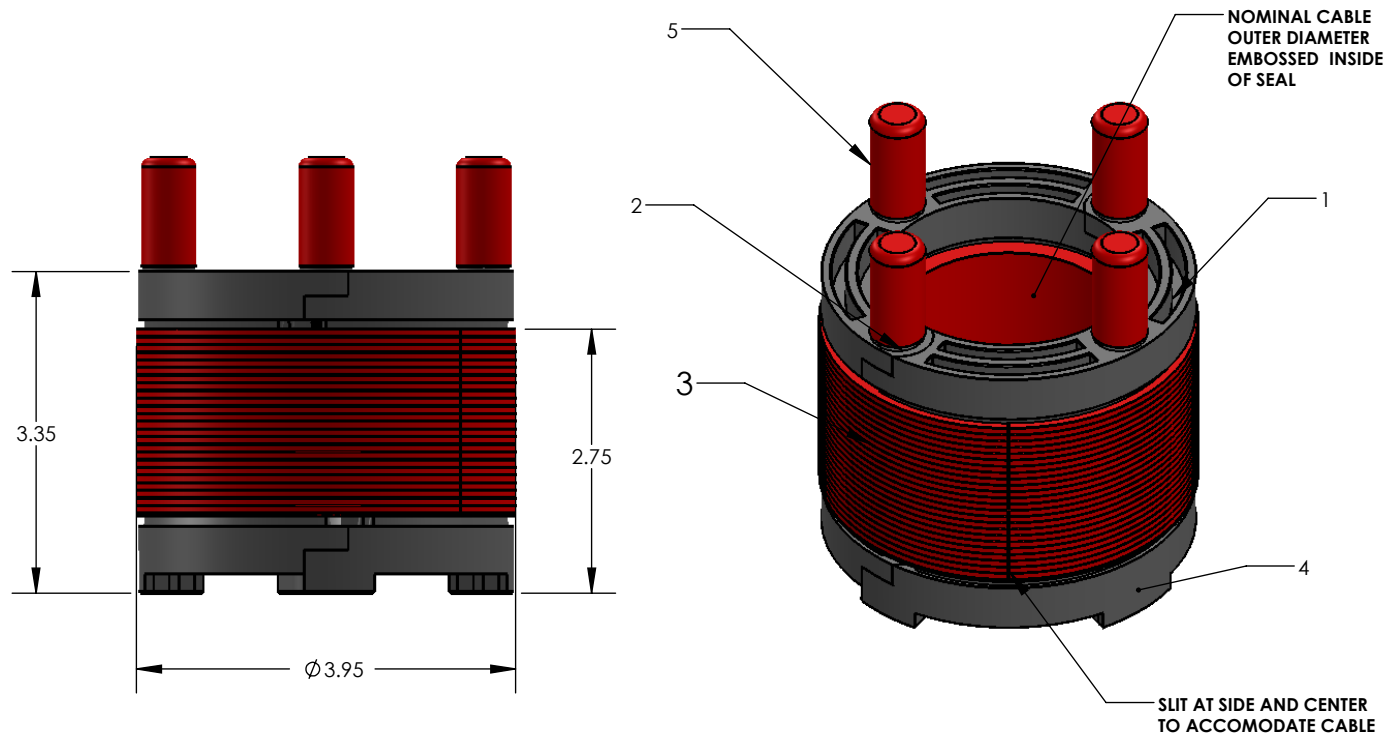
PART NO.	NOM CABLE OD	RANGE
7140-245	2.45	2.43 - 2.47
7140-240	2.40	2.38 - 2.42
7140-235	2.35	2.33 - 2.37
7140-230	2.30	2.28 - 2.32
7140-225	2.25	2.23 - 2.27
7140-220	2.20	2.18 - 2.22
7140-215	2.15	2.13 - 2.17
7140-210	2.10	2.08 - 2.12
7140-205	2.05	2.03 - 2.07
7140-200	2.00	1.98 - 2.02
7140-195	1.95	1.93 - 1.97
7140-190	1.90	1.88 - 1.92
7140-185	1.85	1.83 - 1.87
7140-180	1.80	1.78 - 1.82
7140-175	1.75	1.73 - 1.77
7140-170	1.70	1.68 - 1.72
7140-165	1.65	1.63 - 1.67
7140-160	1.60	1.58 - 1.62
7140-155	1.55	1.53 - 1.57
7140-150	1.50	1.48 - 1.52
7140-145	1.45	1.43 - 1.47
7140-140	1.40	1.38 - 1.42
7140-135	1.35	1.33 - 1.37
7140-130	1.30	1.28 - 1.32
7140-125	1.25	1.23 - 1.27
7140-120	1.20	1.18 - 1.22
7140-115	1.15	1.13 - 1.17
7140-110	1.10	1.08 - 1.12
7140-105	1.05	1.03 - 1.07
7140-100	1.00	0.98 - 1.02

- 1:** Top compression plate - PVC
- 2:** Stainless steel washer bolt and coupling
- 3:** Thermoplastic elastomer seal. Red
- 4:** Bottom compression plate - PVC
- 5:** Bolt & coupling protector PVC

PROPRIETARY AND CONFIDENTIAL
 THE INFORMATION CONTAINED IN THIS DRAWING IS THE SOLE PROPERTY OF CAL AM MFG. ANY REPRODUCTION IN PART OR AS A WHOLE WITHOUT THE WRITTEN PERMISSION OF CAL AM MFG. IS PROHIBITED.

UNLESS OTHERWISE SPECIFIED:		NAME	DATE
DIMENSIONS ARE IN INCHES TOLERANCES: FRACTIONAL ±.5 TWO PLACE DECIMAL ±.010 THREE PLACE DECIMAL ±.005 FOUR PLACE DECIMAL ±.0005	DRAWN	E.GARCIA	04/09/15
	CHECKED	F.GUERRERO	04/09/15
	MFG APPR.	B.ARNOLD	04/09/15
	COMMENTS:		
INTERPRET GEOMETRIC TOLERANCING PER: INCHES			
DO NOT SCALE DRAWING			

Rev.	Change	Date
B	Seal from black to red. Same properties	03/01/16



TITLE: WEDGE SEAL 1-WAY 4" DUCT SCH. 40. UNDERGROUND FIBER OPTIC/ELECTRIC SEAL		
SIZE A	DWG. NO. 7140XXX	REV B
		SHEET 1 OF 1