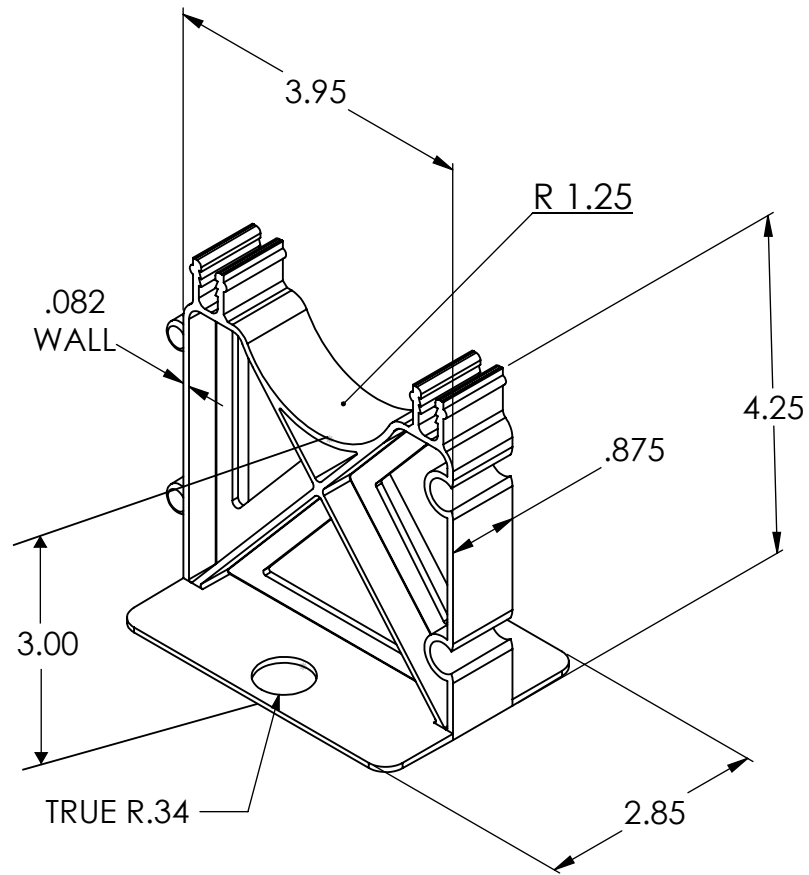


REV	CHANGE	DATE
B	P/N SELECTION	6/06/16



UNLESS OTHERWISE SPECIFIED:		DATE	NAME
DIMENSIONS ARE IN INCHES TOLERANCES: ANGULAR: $\pm .5$ TWO PLACE DECIMAL $\pm .010$ THREE PLACE DECIMAL $\pm .005$		08-13-05	MIKE M.
INTERPRET GEOMETRIC TOLERANCING PER:			
MATERIAL	HIPS		
FINISH			
COMMENTS:			



TITLE: 2" X 1 1/2" BASE SPACER		
SIZE A	DWG. NO. 4020-15	REV B
		SHEET 1 OF 1

THE INFORMATION CONTAINED IN THIS DRAWING IS THE SOLE PROPERTY OF CAL AM MFG. ANY REPRODUCTION IN PART OR AS A WHOLE WITHOUT THE WRITTEN PERMISSION OF CAL AM IS PROHIBITED.