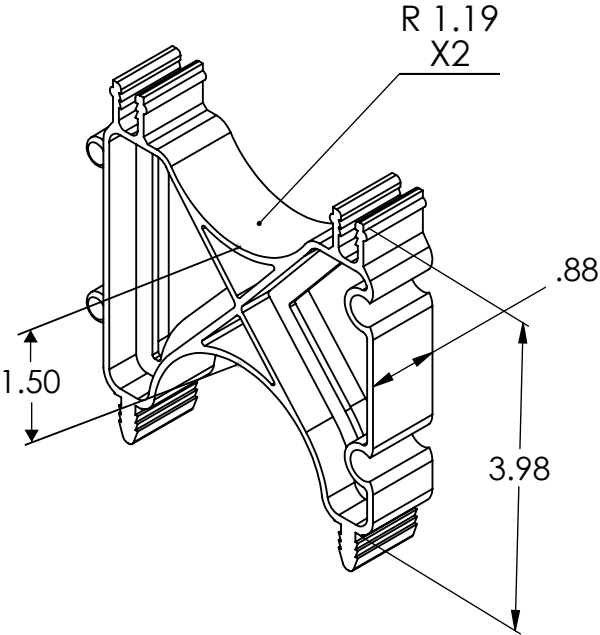


REV	CHANGE	DATA
B	P/N SELECTION	6/06/16



PROPRIETARY AND CONFIDENTIAL
 THE INFORMATION CONTAINED IN THIS DRAWING IS THE SOLE PROPERTY OF CAL AM MFG. ANY REPRODUCTION IN PART OR AS A WHOLE WITHOUT THE WRITTEN PERMISSIONS OF CAL AM IS PROHIBITED

DIMENSIONS ARE IN INCHES TOLERANCES: ANGULAR: ± 5 TWO PLACE DECIMAL $\pm .010$ THREE PLACE DECIMAL $\pm .005$		DATE	NAME
MATERIAL HIPS		DRAW	08-31-05 MIKE M.
FINISH		CHECKED	
		ENG APPR	
		MFG APPR	
		Q. A.	
		COMMENTS:	



TITLE:
2" X 1 1/2"
INTER SPACER

SIZE DWG. NO.	4120-15	REV.	B
---------------	---------	------	---