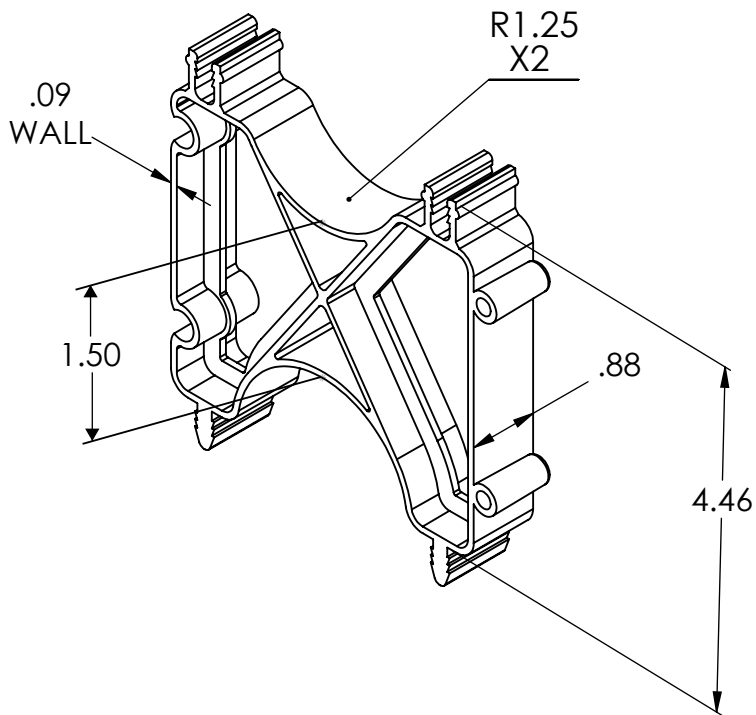


REV	CHANGE	DATE
B	P/N SELECTION	6/06/16



PROPRIETARY AND CONFIDENTIAL

THE INFORMATION CONTAINED IN THIS DRAWING IS THE SOLE PROPERTY OF CAL AM MFG. ANY REPRODUCTION IN PART OR AS A WHOLE WITHOUT THE WRITTEN PERMISSIONS OF CAL AM IS PROHIBITED

DIMENSIONS ARE IN INCHES
 TOLERANCES:
 ANGULAR: ± 5
 TWO PLACE DECIMAL $\pm .010$
 THREE PLACE DECIMAL $\pm .005$

MATERIAL **HIPS**
 FINISH

	DATE	NAME
DRAW	08-31-05	MIKE M.
CHECKED		
ENG APPR		
MFG APPR		
Q. A.		
COMMENTS:		



TITLE:
**2" X 2"
 INTER SPACER**

SIZE DWG. NO. **A** 4120-20

REV. **B**