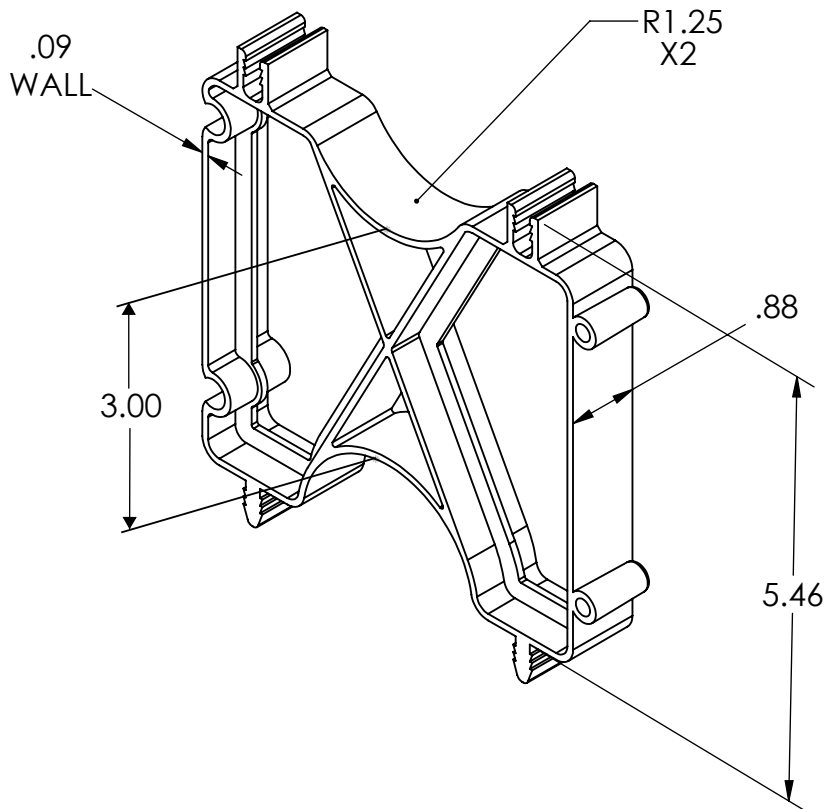


REV	CHANGE	DATE
B	P/N SELECTION	6/06/16



**PROPRIETARY AND CONFIDENTIAL**

THE INFORMATION CONTAINED IN THIS DRAWING IS THE SOLE PROPERTY OF CAL AM MFG. ANY REPRODUCTION IN PART OR AS A WHOLE WITHOUT THE WRITTEN PERMISSIONS OF CAL AM IS PROHIBITED

DIMENSIONS ARE IN INCHES  
 TOLERANCES:  
 ANGULAR:  $\pm 5$   
 TWO PLACE DECIMAL  $\pm .010$   
 THREE PLACE DECIMAL  $\pm .005$

MATERIAL  
**HIPS**

FINISH

	DATE	NAME
DRAW	08-31-05	MIKE M.
CHECKED		
ENG APPR		
MFG APPR		
Q. A.		
COMMENTS:		



TITLE:

**2" X 3"  
 INTER SPACER**

SIZE DWG. NO. **A 4120-30**

REV. **B**