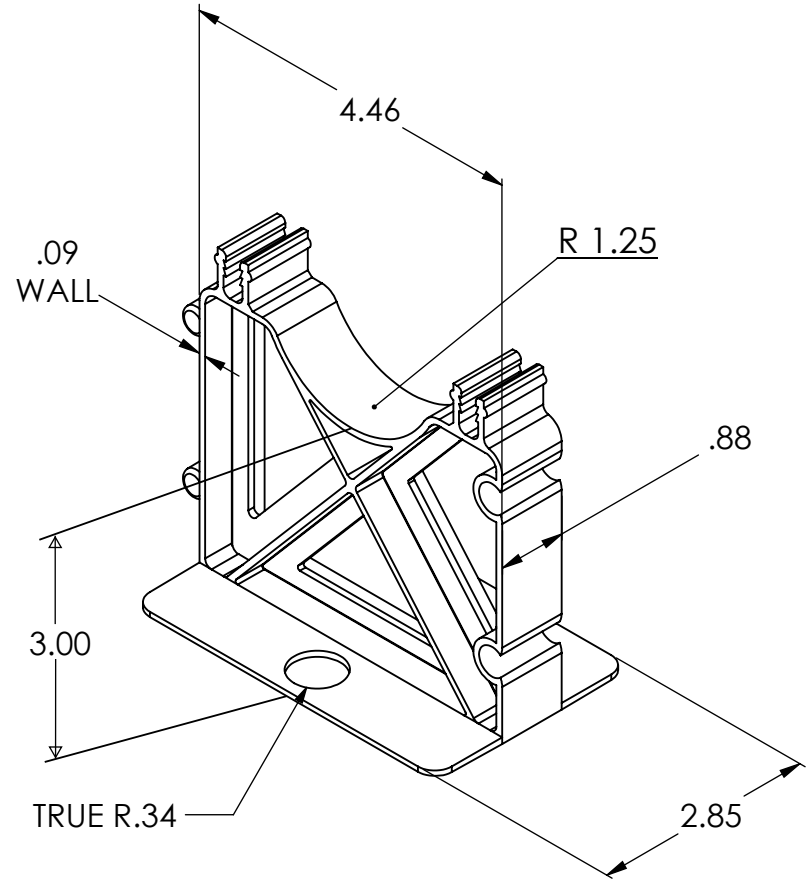



REV	CHANGE	DATE
B	P/N SELECTION	6/06/16



UNLESS OTHERWISE SPECIFIED:		DATE	NAME	
DIMENSIONS ARE IN INCHES TOLERANCES: ANGULAR: $\pm .5$ TWO PLACE DECIMAL $\pm .010$ THREE PLACE DECIMAL $\pm .005$		DRAWN	08-13-05	
INTERPRET GEOMETRIC TOLERANCING PER:		CHECKED		TITLE: 2" X 2" BASE SPACER
MATERIAL		ENG APPR.		
FINISH		MFG APPR.		
COMMENTS:		Q.A.		
THE INFORMATION CONTAINED IN THIS DRAWING IS THE SOLE PROPERTY OF CAL AM MFG. ANY REPRODUCTION IN PART OR AS A WHOLE WITHOUT THE WRITTEN PERMISSION OF CAL AM IS PROHIBITED.	MATERIAL			SIZE A
	FINISH			DWG. NO. 4020-20
				REV B
				SHEET 1 OF 1