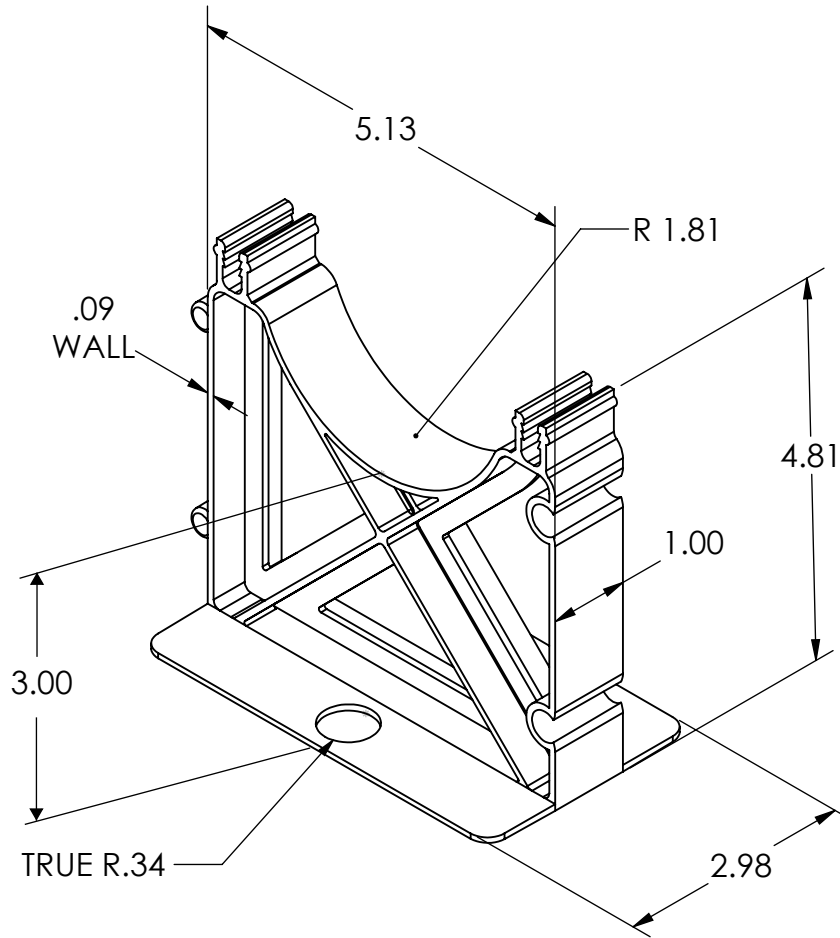



REV	CHANGE	DATE
B	P/N SELECTION	6/06/16



UNLESS OTHERWISE SPECIFIED:	DATE	NAME
DIMENSIONS ARE IN INCHES	DRAWN 08-13-05	MIKE M.
TOLERANCES:	CHECKED	
ANGULAR: $\pm .5$	ENG APPR.	
TWO PLACE DECIMAL $\pm .010$	MFG APPR.	
THREE PLACE DECIMAL $\pm .005$	Q.A.	
INTERPRET GEOMETRIC TOLERANCING PER:	COMMENTS:	
MATERIAL HIPS		
FINISH		

 <small>Underground Electrical &amp; Broadband Fittings</small>		
<b>TITLE:</b> <b>3" X 1-1/2" BASE SPACER</b>		
SIZE <b>A</b>	DWG. NO. <b>4030-15</b>	REV <b>B</b>
		SHEET 1 OF 1

THE INFORMATION CONTAINED IN THIS DRAWING IS THE SOLE PROPERTY OF CAL AM MFG. ANY REPRODUCTION IN PART OR AS A WHOLE WITHOUT THE WRITTEN PERMISSION OF CAL AM IS PROHIBITED.