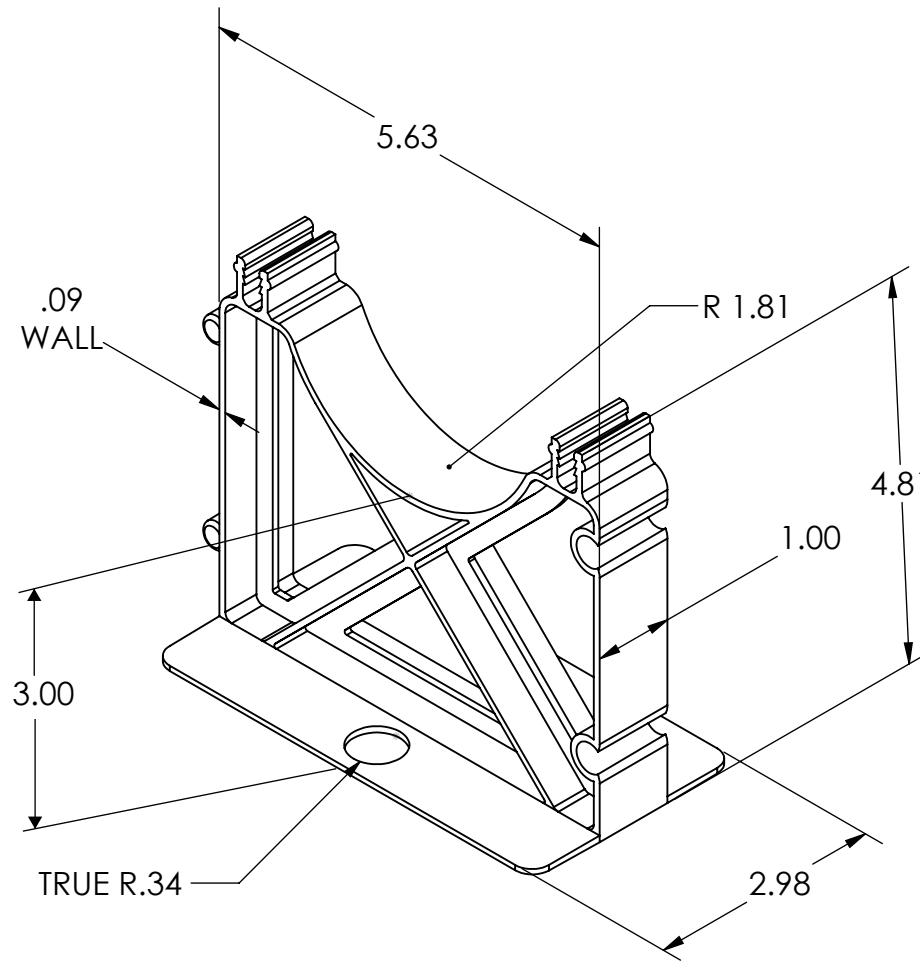



REV	CHANGE	DATE
B	P/N SELECTION	6/06/16



UNLESS OTHERWISE SPECIFIED:		DATE	NAME	 TITLE: 3" X 2" BASE SPACER	
DIMENSIONS ARE IN INCHES		DRAWN	08-13-05		MIKE M.
TOLERANCES:		CHECKED			
ANGULAR: $\pm .5$		ENG APPR.			
TWO PLACE DECIMAL $\pm .010$		MFG APPR.			
THREE PLACE DECIMAL $\pm .005$		Q.A.			
INTERPRET GEOMETRIC TOLERANCING PER:		COMMENTS:			
MATERIAL		HIPS		SIZE	
FINISH				DWG. NO.	
				4030-20	
				REV	
				B	
				SHEET 1 OF 1	

THE INFORMATION CONTAINED IN THIS DRAWING IS THE SOLE PROPERTY OF CAL AM MFG. ANY REPRODUCTION IN PART OR AS A WHOLE WITHOUT THE WRITTEN PERMISSION OF CAL AM IS PROHIBITED.