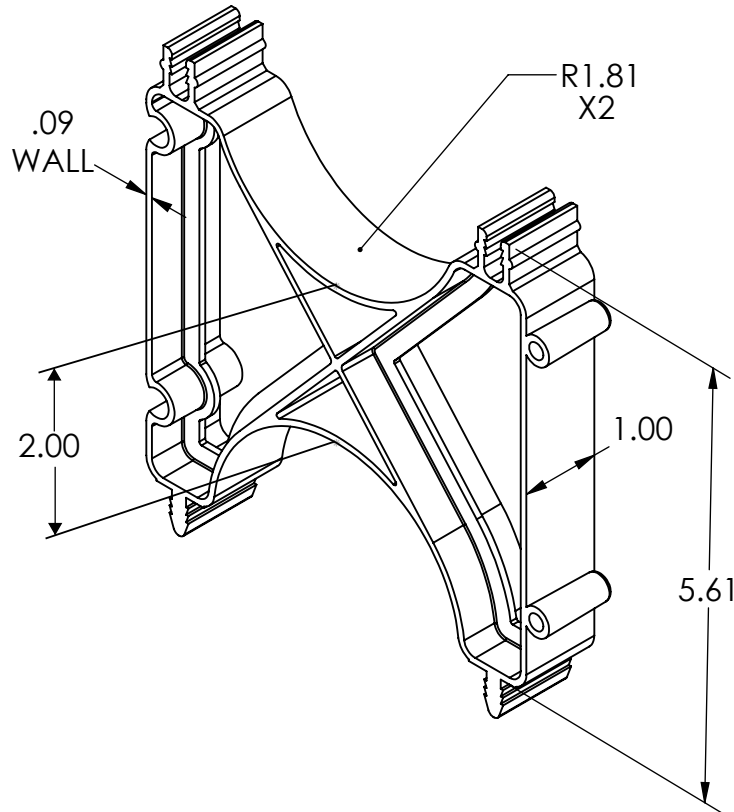



REV	CHANGE	DATE
B	P/N SELECTION	6/06/16



PROPRIETARY AND CONFIDENTIAL
 THE INFORMATION CONTAINED IN THIS DRAWING IS THE SOLE PROPERTY OF CAL AM MFG. ANY REPRODUCTION IN PART OR AS A WHOLE WITHOUT THE WRITTEN PERMISSIONS OF CAL AM IS PROHIBITED

DIMENSIONS ARE IN INCHES TOLERANCES: ANGULAR: $\pm .5$ TWO PLACE DECIMAL $\pm .010$ THREE PLACE DECIMAL $\pm .005$		DATE	NAME	 TITLE: <h2 style="text-align: center;">3" X 2" INTER SPACER</h2>	
MATERIAL		DRAW	08-31-05		MIKE M.
FINISH		CHECKED			
		ENG APPR			
		MFG APPR			
		Q. A.			
		COMMENTS:		SIZE DWG. NO. A 4130-20	
				REV. B	
SHEET 1 OF 1					