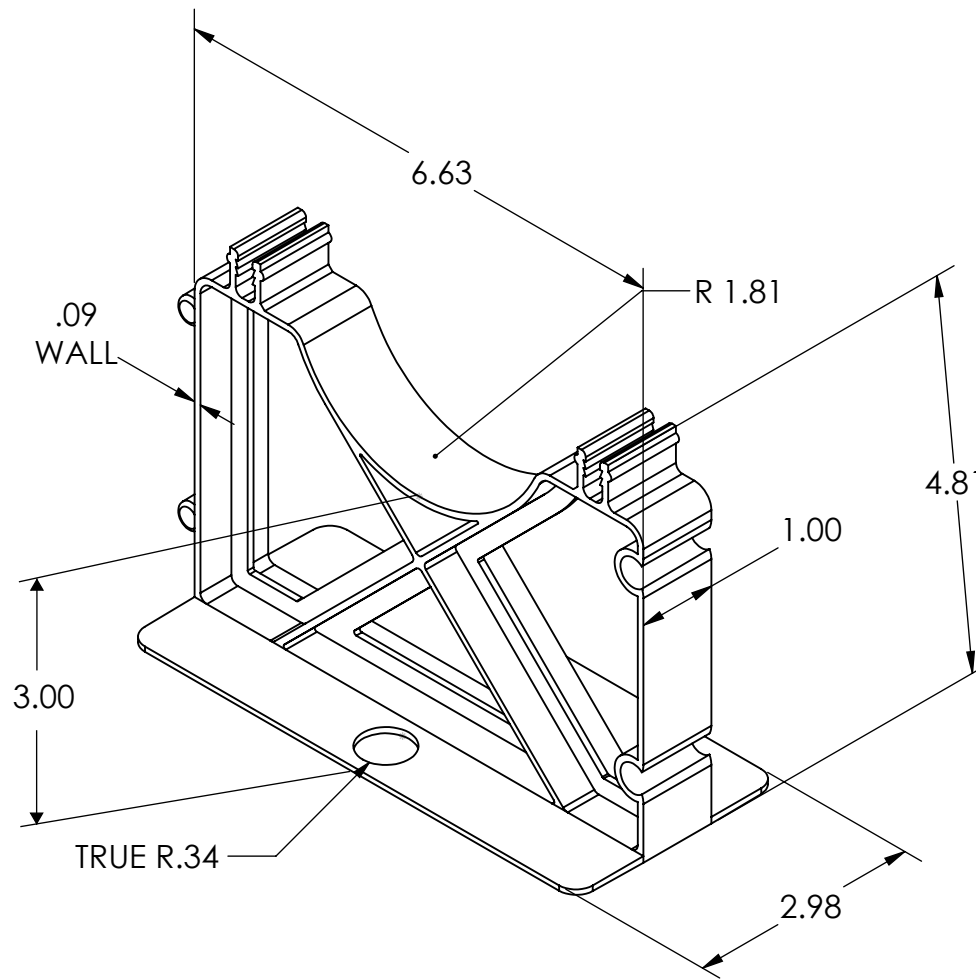



REV	CHANGE	DATE
B	P/N SELECTION	6/06/16



UNLESS OTHERWISE SPECIFIED:		DATE	NAME	 CAL AM MANUFACTURING <i>Underground Electrical & Broadband Fittings</i>
DIMENSIONS ARE IN INCHES TOLERANCES: ANGULAR: $\pm .5$ TWO PLACE DECIMAL $\pm .010$ THREE PLACE DECIMAL $\pm .005$		DRAWN	08-13-05	
INTERPRET GEOMETRIC TOLERANCING PER:		CHECKED		
MATERIAL		ENG APPR.		
FINISH		MFG APPR.		
THE INFORMATION CONTAINED IN THIS DRAWING IS THE SOLE PROPERTY OF CAL AM MFG. ANY REPRODUCTION IN PART OR AS A WHOLE WITHOUT THE WRITTEN PERMISSION OF CAL AM IS PROHIBITED.		Q.A.		
		COMMENTS:		
		TITLE: 3" X 3" BASE SPACER		
		SIZE	DWG. NO.	REV
		A	4030-30	B
				SHEET 1 OF 1