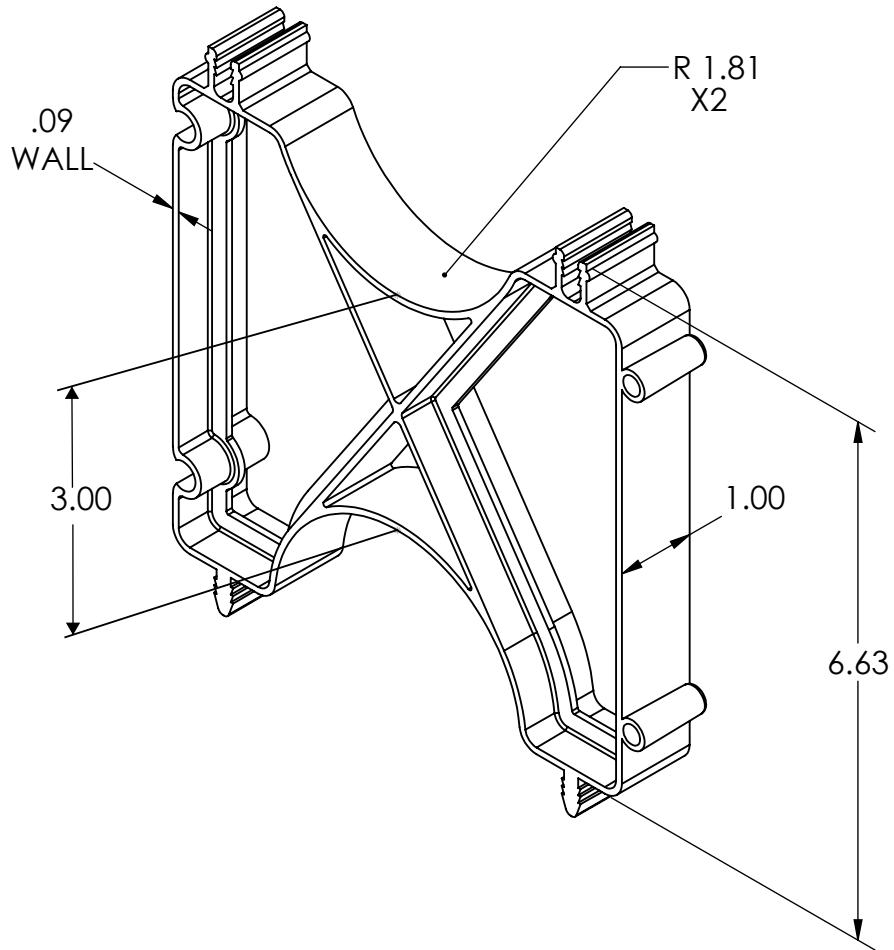



REV	CHANGE	DATE
B	P/N SELECTION	6/06/16



PROPRIETARY AND CONFIDENTIAL

THE INFORMATION CONTAINED IN THIS DRAWING IS THE SOLE PROPERTY OF CAL AM MFG. ANY REPRODUCTION IN PART OR AS A WHOLE WITHOUT THE WRITEN PERMISSIONS OF CAL AM IS PROHIBITED

DIMENSIONS ARE IN INCHES TOLERANCES: ANGULAR: ± 5 TWO PLACE DECIMAL $\pm .010$ THREE PLACE DECIMAL $\pm .005$		DATE 08-31-05	NAME MIKE M.	 TITLE: <h3>3" X 3" INTER SPACER</h3>
MATERIAL HIPS	FINISH	CHECKED ENG APPR MFG APPR Q. A. COMMENTS:	SIZE DWG. NO. A 4130-30	