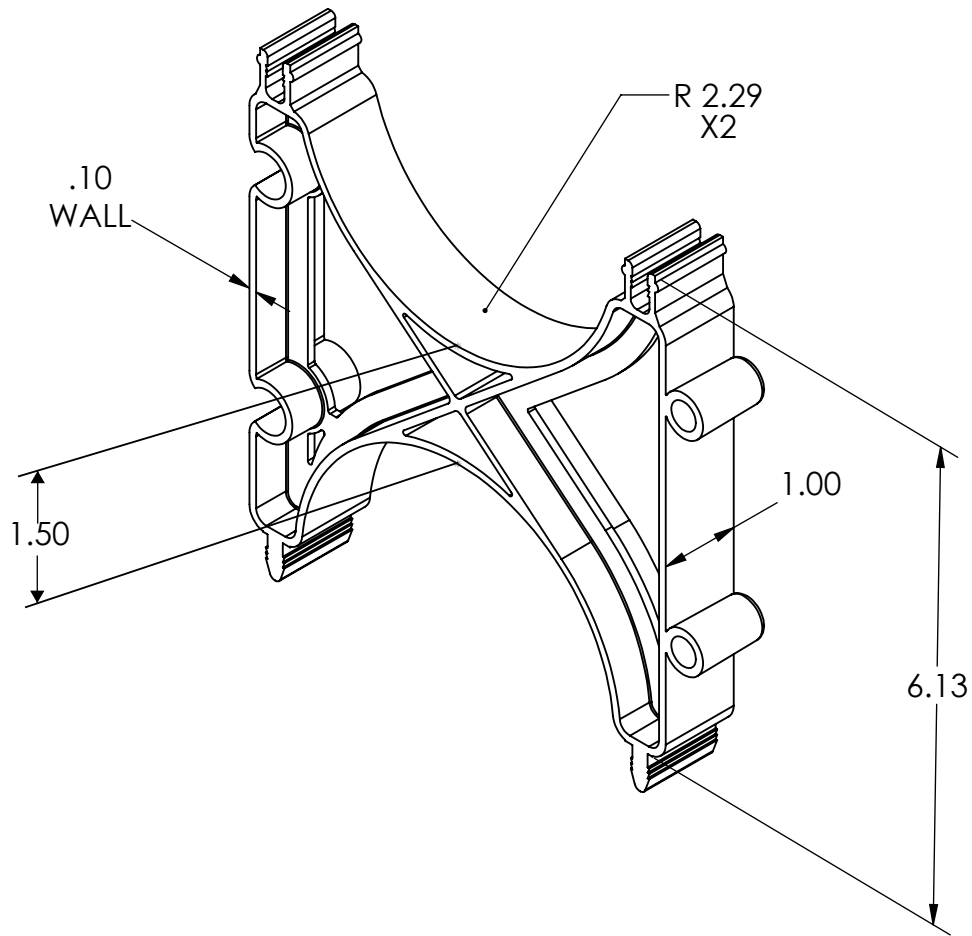



REV	CHANGE	DATE
B	P/N SELECTION	6/06/16



**PROPRIETARY AND CONFIDENTIAL**

THE INFORMATION CONTAINED IN THIS DRAWING IS THE SOLE PROPERTY OF CAL AM MFG. ANY REPRODUCTION IN PART OR AS A WHOLE WITHOUT THE WRITTEN PERMISSIONS OF CAL AM IS PROHIBITED

DIMENSIONS ARE IN INCHES TOLERANCES: ANGULAR: $\pm 5$ TWO PLACE DECIMAL $\pm .010$ THREE PLACE DECIMAL $\pm .005$		DATE 08-31-05	NAME MIKE M.	
MATERIAL <b>HIPS</b>		CHECKED ENG APPR MFG APPR Q. A.	COMMENTS:	
FINISH		SIZE DWG. NO. <b>A</b> 4140-15		REV. <b>B</b>
SHEET 1 OF 1				