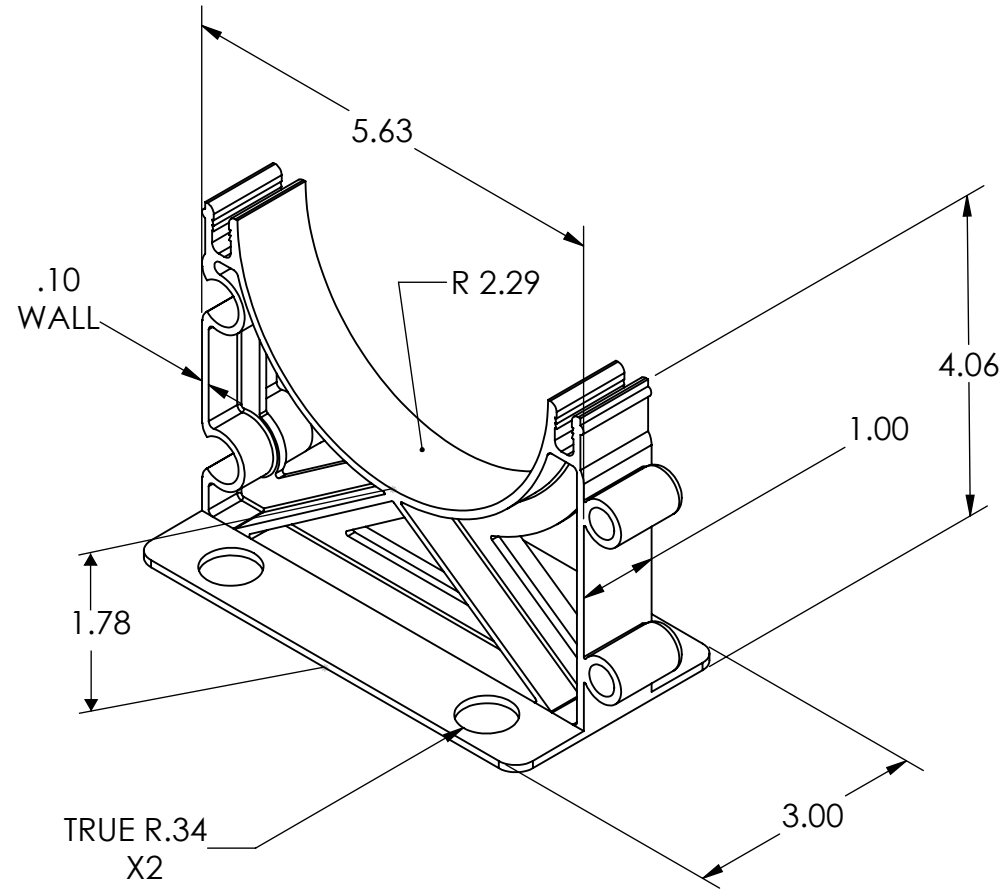



REV	CHANGE	DATE
B	P/N SELECTION	6/06/16



UNLESS OTHERWISE SPECIFIED:		DATE	NAME	
DIMENSIONS ARE IN INCHES TOLERANCES: ANGULAR: $\pm .5$ TWO PLACE DECIMAL $\pm .010$ THREE PLACE DECIMAL $\pm .005$		DRAWN	08-13-05	
INTERPRET GEOMETRIC TOLERANCING PER: MATERIAL HIPS FINISH		CHECKED		
		ENG APPR.		
		MFG APPR.		
THE INFORMATION CONTAINED IN THIS DRAWING IS THE SOLE PROPERTY OF CAL AM MFG. ANY REPRODUCTION IN PART OR AS A WHOLE WITHOUT THE WRITTEN PERMISSION OF CAL AM IS PROHIBITED.		Q.A.		
		COMMENTS:		
		TITLE:		4" X 1" BASE SPACER
SIZE	DWG. NO.	REV		
A	4040-10	B		
			SHEET 1 OF 1	