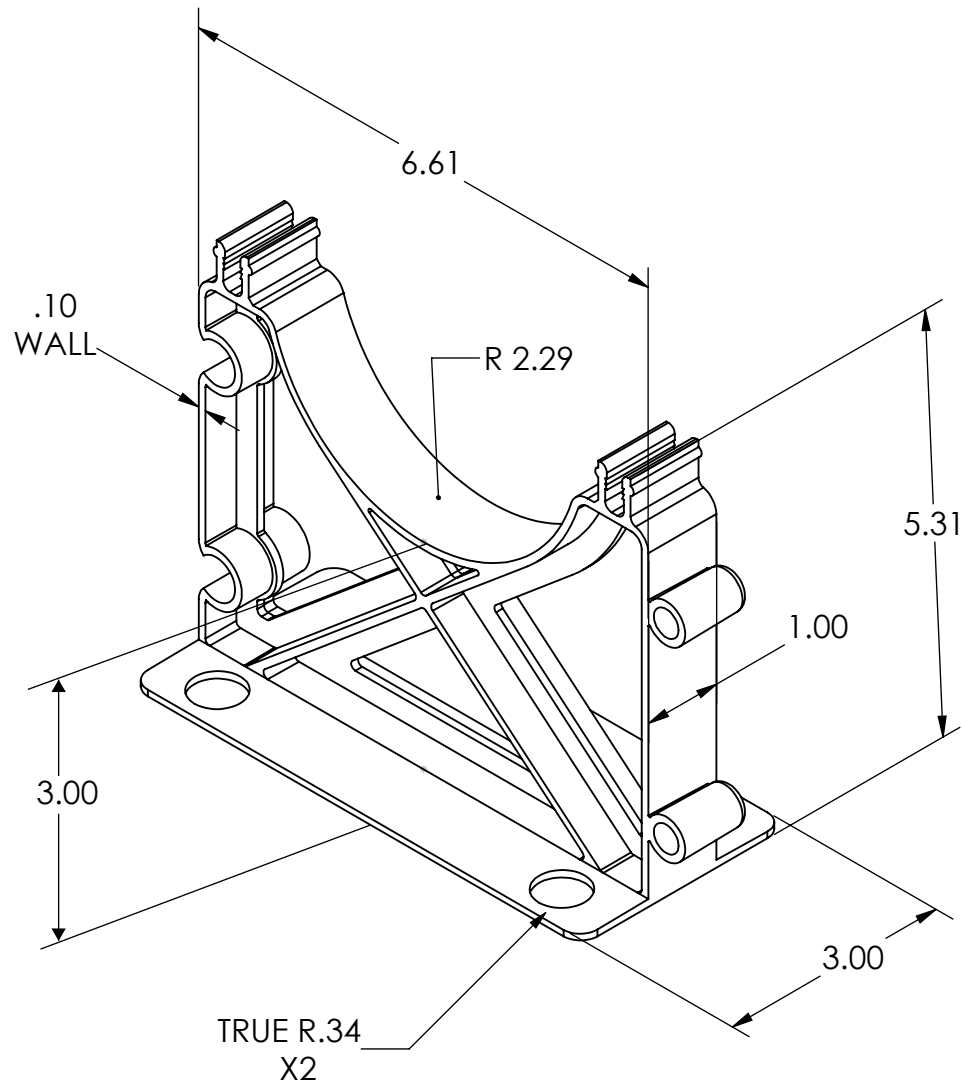


REV	CHANGE	DATE
B	P/N SELECTION	6/06/16



UNLESS OTHERWISE SPECIFIED:		DATE	NAME
DIMENSIONS ARE IN INCHES		DRAWN	08-13-05 MIKE M.
TOLERANCES:		CHECKED	
ANGULAR: $\pm .5$		ENG APPR.	
TWO PLACE DECIMAL $\pm .010$		MFG APPR.	
THREE PLACE DECIMAL $\pm .005$		Q.A.	
INTERPRET GEOMETRIC TOLERANCING PER:		COMMENTS:	
MATERIAL			
HIPS			
FINISH			



TITLE:		
<b>4" X 2" BASE SPACER</b>		
SIZE	DWG. NO.	REV
<b>A</b>	<b>4040-20</b>	<b>B</b>
		SHEET 1 OF 1

THE INFORMATION CONTAINED IN THIS DRAWING IS THE SOLE PROPERTY OF CAL AM MFG. ANY REPRODUCTION IN PART OR AS A WHOLE WITHOUT THE WRITTEN PERMISSION OF CAL AM IS PROHIBITED.