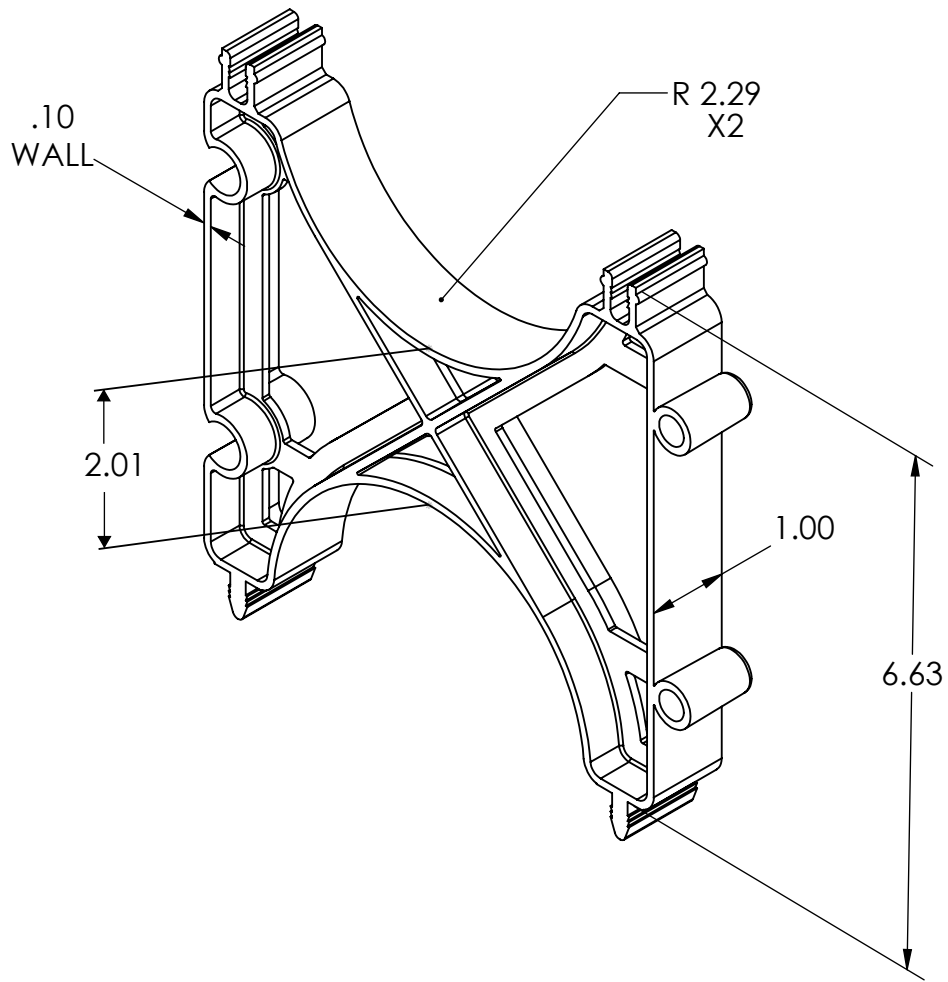



REV	CHANGE	DATE
B	P/N SELECTION	6/06/16



PROPRIETARY AND CONFIDENTIAL

THE INFORMATION CONTAINED IN THIS DRAWING IS THE SOLE PROPERTY OF CAL AM MFG. ANY REPRODUCTION IN PART OR AS A WHOLE WITHOUT THE WRITTEN PERMISSIONS OF CAL AM IS PROHIBITED

DIMENSIONS ARE IN INCHES TOLERANCES: ANGULAR: $\pm .5$ TWO PLACE DECIMAL $\pm .010$ THREE PLACE DECIMAL $\pm .005$		DATE	NAME	 TITLE: <h3>4" X 2" INTER SPACER</h3>	
MATERIAL		DRAW	08-31-05		MIKE M.
FINISH		CHECKED			
		ENG APPR			
		MFG APPR			
		Q. A.			
		COMMENTS:		SIZE DWG. NO. A 4140-20	
				REV. B	
SHEET 1 OF 1					