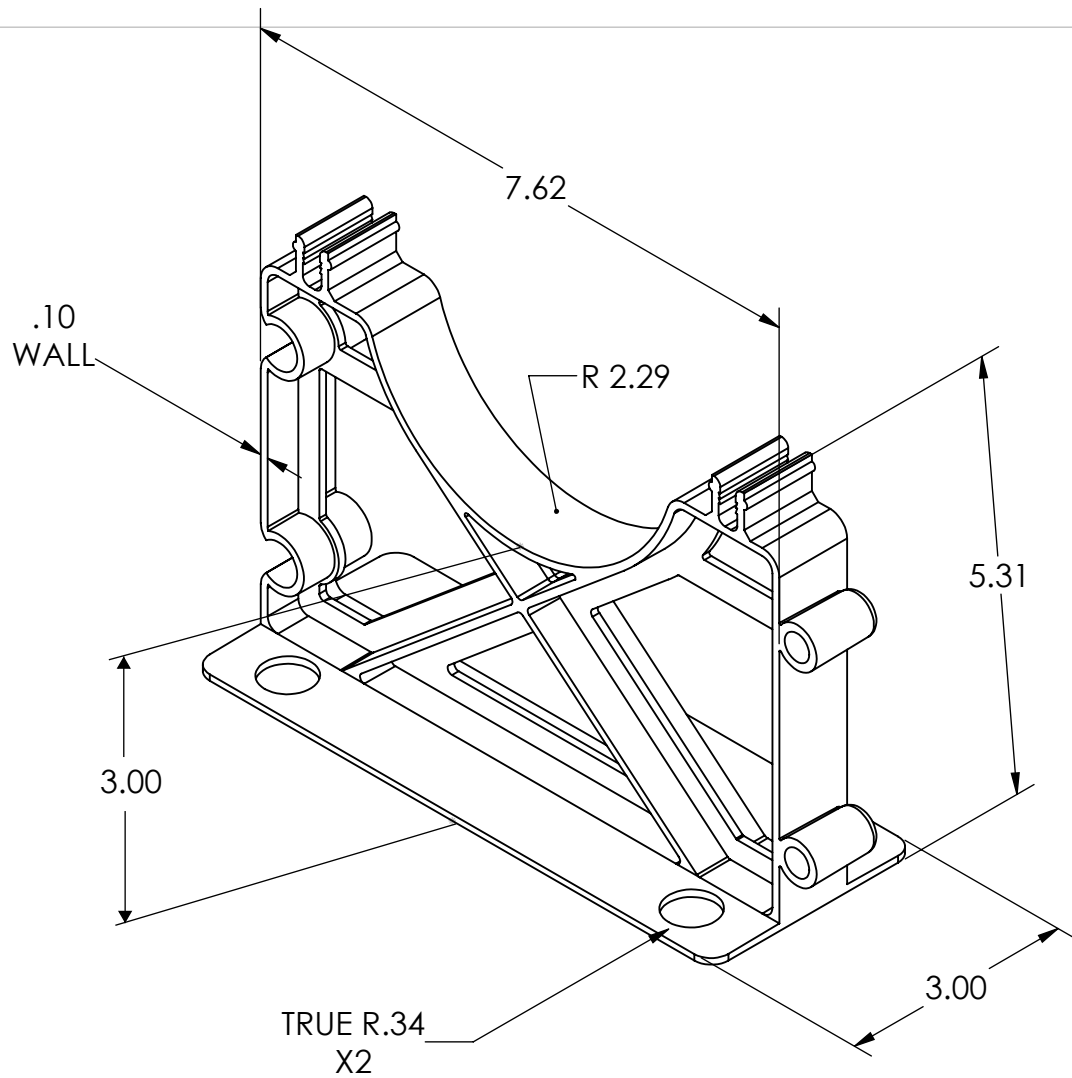



REV	CHANGE	DATE
B	P/N SELECTION	6/06/16



UNLESS OTHERWISE SPECIFIED:		DATE	NAME
DIMENSIONS ARE IN INCHES TOLERANCES: ANGULAR: ±.5 TWO PLACE DECIMAL ±.010 THREE PLACE DECIMAL ±.005		DRAWN	08-13-05 MIKE M.
		CHECKED	
		ENG APPR.	
INTERPRET GEOMETRIC TOLERANCING PER:		MFG APPR.	
MATERIAL HIPS		Q.A.	
		COMMENTS:	
FINISH			

 <b>TITLE:</b> <b>4" X 3" BASE SPACER</b>		
		SHEET 1 OF 1

THE INFORMATION CONTAINED IN THIS DRAWING IS THE SOLE PROPERTY OF CAL AM MFG. ANY REPRODUCTION IN PART OR AS A WHOLE WITHOUT THE WRITTEN PERMISSION OF CAL AM IS PROHIBITED.